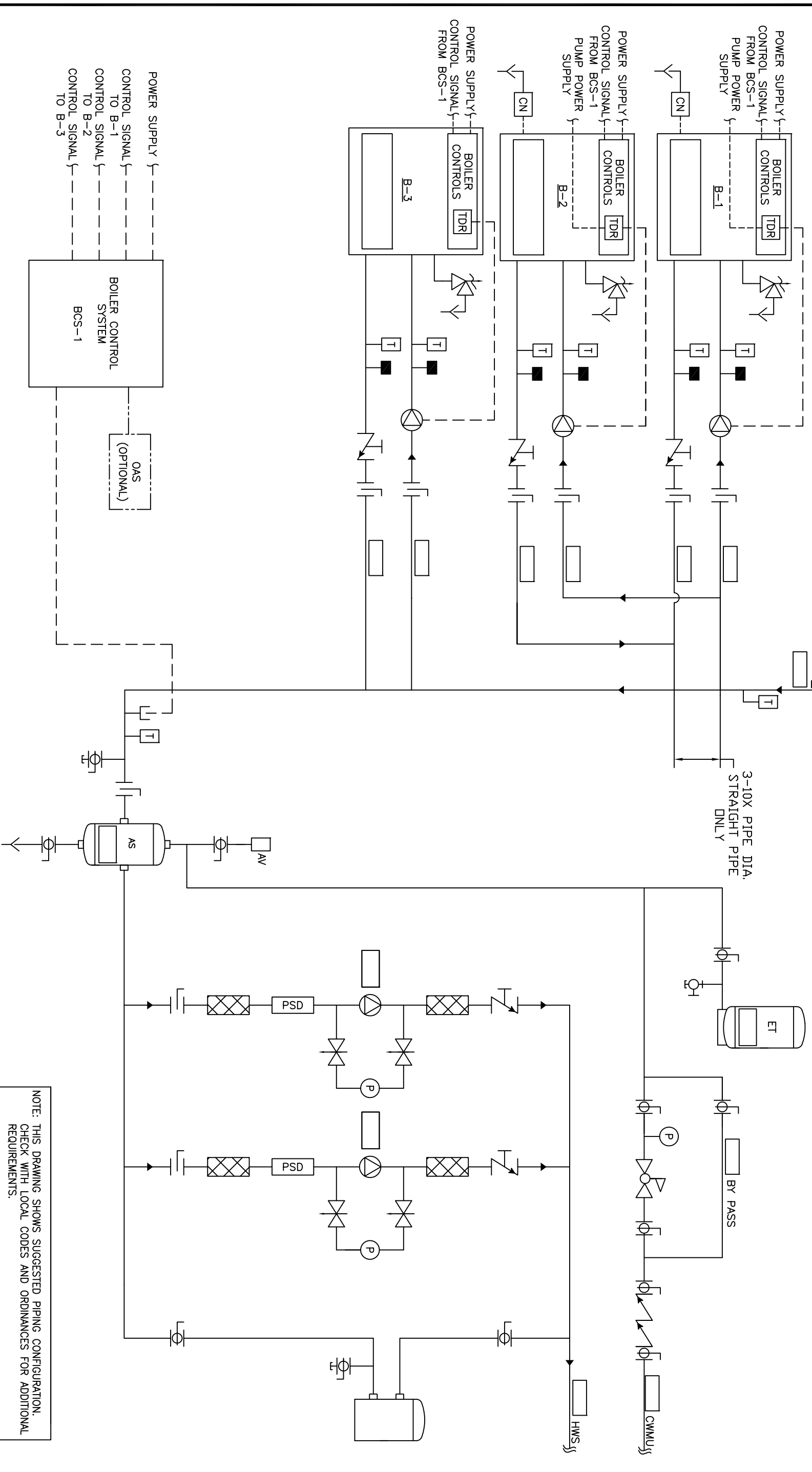


RECC ALL PIPING TO BE SIZED PER ASHARE F36



NOTE: THIS DRAWING SHOWS SUGGESTED PIPING CONFIGURATION. CHECK WITH LOCAL CODES AND ORDINANCES FOR ADDITIONAL REQUIREMENTS.

<p>THIS DRAWING AND THE INFORMATION DEPICTED THEREIN IS THE PROPERTY OF CHC, CALIFORNIA HYDRONICS CORP. CONFERENCE AND SHALL NOT BE REPRODUCED OR USED AS THE BASIS FOR THE MANUFACTURING, INSTALLATION OR SALE OF PRODUCT WITHOUT WRITTEN PERMISSION OF CHC.</p>		<p>PROJECT NAME:</p>
<p>PROJECT LOCATION:</p>		<p>DRAWING TITLE:</p>
<p>ENGINEER:</p>		<p>HYDRID PRIMARY/SECONDARY - 2 CONDENSING, 1 NON CONDENSING, NO TEMP PROTECTION, WITH SYSTEM PUMPS.</p>
<p>DATE:</p>		<p>DRAWING No. H-PS-500-3XX-2</p>
<p>BY:</p>		<p>DESIGNER: DK</p>
<p>DESCRIPTION:</p>		<p>CHECKED: DK</p>
<p>REV A RELEASED</p>		<p>DATE: 08/24/10</p>
<p>REV</p>		<p>SCALE: AS SHOWN</p>

