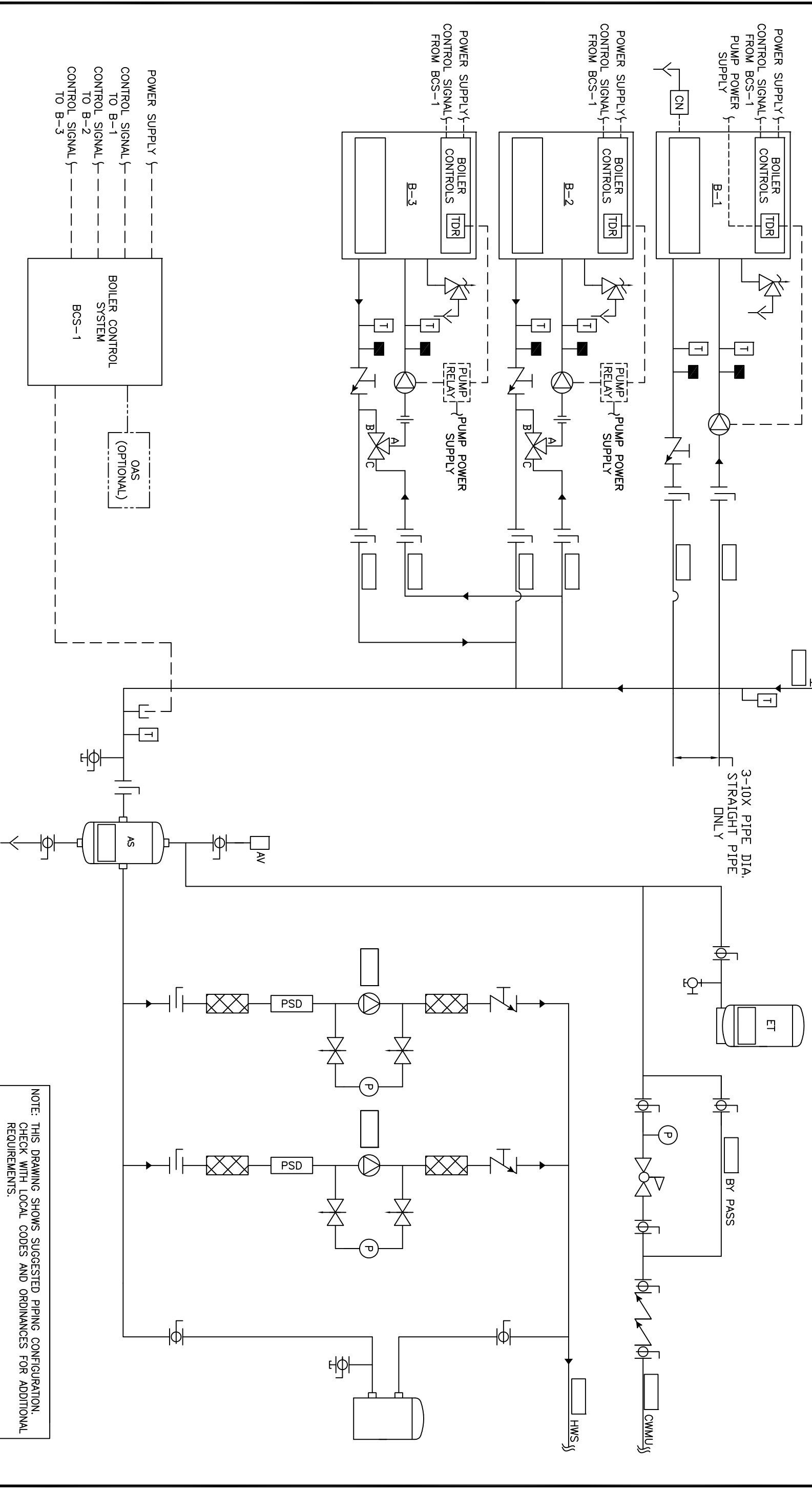


RECC ALL PIPING TO BE SIZED PER ASHARE F36



NOTE: THIS DRAWING SHOWS SUGGESTED PIPING CONFIGURATION. CHECK WITH LOCAL CODES AND ORDINANCES FOR ADDITIONAL REQUIREMENTS.

PROJECT NAME:		PROJECT LOCATION:		DRAWING TITLE:	
OAS (OPTIONAL)		H-PS-502-B3-2		HYBRID PRIMARY/SECONDARY - 1 CONDENSING, 2 NON-CONDENSING WITH TEMP PROTECTION, WITH SYSTEM PUMP.	
BOILER CONTROL SYSTEM BCS-1		ENGINEER:		DRAWING No. H-PS-502-B3-2	
CONTROL SIGNAL TO B-1		DK		DRAWN BY/DWG. DATE: 08/24/10	
CONTROL SIGNAL TO B-2		08/24/10		CHECKED/APPROVED/DEC. 500"	
CONTROL SIGNAL TO B-3		BY DATE		TOLERANCES UNLESS OTHERWISE SPECIFIED	
POWER SUPPLY		DESCRIPTION		ANGLE 5	
CONTROL SIGNAL FROM BCS-1		REV		SCALE 0	
PUMP POWER SUPPLY		A		SIZE 0	
BOILER CONTROLS TDR		RELEASED		DEC. 500"	
BOILER CONTROLS TDR		DK		5	
BOILER CONTROLS TDR		08/24/10		0	
BOILER CONTROL SYSTEM BCS-1		08/24/10		0	
CONTROL SIGNAL TO B-1		08/24/10		0	
CONTROL SIGNAL TO B-2		08/24/10		0	
CONTROL SIGNAL TO B-3		08/24/10		0	
POWER SUPPLY		08/24/10		0	
CONTROL SIGNAL FROM BCS-1		08/24/10		0	
PUMP POWER SUPPLY		08/24/10		0	
BOILER CONTROLS TDR		08/24/10		0	
BOILER CONTROLS TDR		08/24/10		0	
BOILER CONTROL SYSTEM BCS-1		08/24/10		0	
CONTROL SIGNAL TO B-1		08/24/10		0	
CONTROL SIGNAL TO B-2		08/24/10		0	
CONTROL SIGNAL TO B-3		08/24/10		0	
POWER SUPPLY		08/24/10		0	
CONTROL SIGNAL FROM BCS-1		08/24/10		0	
PUMP POWER SUPPLY		08/24/10		0	
BOILER CONTROLS TDR		08/24/10		0	
BOILER CONTROLS TDR		08/24/10		0	
BOILER CONTROL SYSTEM BCS-1		08/24/10		0	
CONTROL SIGNAL TO B-1		08/24/10		0	
CONTROL SIGNAL TO B-2		08/24/10		0	
CONTROL SIGNAL TO B-3		08/24/10		0	
POWER SUPPLY		08/24/10		0	
CONTROL SIGNAL FROM BCS-1		08/24/10		0	
PUMP POWER SUPPLY		08/24/10		0	
BOILER CONTROLS TDR		08/24/10		0	
BOILER CONTROLS TDR		08/24/10		0	
BOILER CONTROL SYSTEM BCS-1		08/24/10		0	
CONTROL SIGNAL TO B-1		08/24/10		0	
CONTROL SIGNAL TO B-2		08/24/10		0	
CONTROL SIGNAL TO B-3		08/24/10		0	
POWER SUPPLY		08/24/10		0	
CONTROL SIGNAL FROM BCS-1		08/24/10		0	
PUMP POWER SUPPLY		08/24/10		0	
BOILER CONTROLS TDR		08/24/10		0	
BOILER CONTROLS TDR		08/24/10		0	
BOILER CONTROL SYSTEM BCS-1		08/24/10		0	
CONTROL SIGNAL TO B-1		08/24/10		0	
CONTROL SIGNAL TO B-2		08/24/10		0	
CONTROL SIGNAL TO B-3		08/24/10		0	
POWER SUPPLY		08/24/10		0	
CONTROL SIGNAL FROM BCS-1		08/24/10		0	
PUMP POWER SUPPLY		08/24/10		0	
BOILER CONTROLS TDR		08/24/10		0	
BOILER CONTROLS TDR		08/24/10		0	
BOILER CONTROL SYSTEM BCS-1		08/24/10		0	
CONTROL SIGNAL TO B-1		08/24/10		0	
CONTROL SIGNAL TO B-2		08/24/10		0	
CONTROL SIGNAL TO B-3		08/24/10		0	
POWER SUPPLY		08/24/10		0	
CONTROL SIGNAL FROM BCS-1		08/24/10		0	
PUMP POWER SUPPLY		08/24/10		0	
BOILER CONTROLS TDR		08/24/10		0	
BOILER CONTROLS TDR		08/24/10		0	
BOILER CONTROL SYSTEM BCS-1		08/24/10		0	
CONTROL SIGNAL TO B-1		08/24/10		0	
CONTROL SIGNAL TO B-2		08/24/10		0	
CONTROL SIGNAL TO B-3		08/24/10		0	
POWER SUPPLY		08/24/10		0	
CONTROL SIGNAL FROM BCS-1		08/24/10		0	
PUMP POWER SUPPLY		08/24/10		0	
BOILER CONTROLS TDR		08/24/10		0	
BOILER CONTROLS TDR		08/24/10		0	
BOILER CONTROL SYSTEM BCS-1		08/24/10		0	
CONTROL SIGNAL TO B-1		08/24/10		0	
CONTROL SIGNAL TO B-2		08/24/10		0	
CONTROL SIGNAL TO B-3		08/24/10		0	
POWER SUPPLY		08/24/10		0	
CONTROL SIGNAL FROM BCS-1		08/24/10		0	
PUMP POWER SUPPLY		08/24/10		0	
BOILER CONTROLS TDR		08/24/10		0	
BOILER CONTROLS TDR		08/24/10		0	
BOILER CONTROL SYSTEM BCS-1		08/24/10		0	
CONTROL SIGNAL TO B-1		08/24/10		0	
CONTROL SIGNAL TO B-2		08/24/10		0	
CONTROL SIGNAL TO B-3		08/24/10		0	
POWER SUPPLY		08/24/10		0	
CONTROL SIGNAL FROM BCS-1		08/24/10		0	
PUMP POWER SUPPLY		08/24/10		0	
BOILER CONTROLS TDR		08/24/10		0	
BOILER CONTROLS TDR		08/24/10		0	
BOILER CONTROL SYSTEM BCS-1		08/24/10		0	
CONTROL SIGNAL TO B-1		08/24/10		0	
CONTROL SIGNAL TO B-2		08/24/10		0	
CONTROL SIGNAL TO B-3		08/24/10		0	
POWER SUPPLY		08/24/10		0	
CONTROL SIGNAL FROM BCS-1		08/24/10		0	
PUMP POWER SUPPLY		08/24/10		0	
BOILER CONTROLS TDR		08/24/10		0	
BOILER CONTROLS TDR		08/24/10		0	
BOILER CONTROL SYSTEM BCS-1		08/24/10		0	
CONTROL SIGNAL TO B-1		08/24/10		0	
CONTROL SIGNAL TO B-2		08/24/10		0	
CONTROL SIGNAL TO B-3		08/24/10		0	
POWER SUPPLY		08/24/10		0	
CONTROL SIGNAL FROM BCS-1		08/24/10		0	
PUMP POWER SUPPLY		08/24/10		0	
BOILER CONTROLS TDR		08/24/10		0	
BOILER CONTROLS TDR		08/24/10		0	
BOILER CONTROL SYSTEM BCS-1		08/24/10		0	
CONTROL SIGNAL TO B-1		08/24/10		0	
CONTROL SIGNAL TO B-2		08/24/10		0	
CONTROL SIGNAL TO B-3		08/24/10		0	
POWER SUPPLY		08/24/10		0	
CONTROL SIGNAL FROM BCS-1		08/24/10		0	
PUMP POWER SUPPLY		08/24/10		0	
BOILER CONTROLS TDR		08/24/10		0	
BOILER CONTROLS TDR		08/24/10		0	
BOILER CONTROL SYSTEM BCS-1		08/24/10		0	
CONTROL SIGNAL TO B-1		08/24/10		0	
CONTROL SIGNAL TO B-2		08/24/10		0	
CONTROL SIGNAL TO B-3		08/24/10		0	
POWER SUPPLY		08/24/10		0	
CONTROL SIGNAL FROM BCS-1		08/24/10		0	
PUMP POWER SUPPLY		08/24/10		0	
BOILER CONTROLS TDR		08/24/10		0	
BOILER CONTROLS TDR		08/24/10		0	
BOILER CONTROL SYSTEM BCS-1		08/24/10		0	
CONTROL SIGNAL TO B-1		08/24/10		0	
CONTROL SIGNAL TO B-2		08/24/10		0	
CONTROL SIGNAL TO B-3		08/24/10		0	
POWER SUPPLY		08/24/10		0	
CONTROL SIGNAL FROM BCS-1		08/24/10		0	
PUMP POWER SUPPLY		08/24/10		0	
BOILER CONTROLS TDR		08/24/10		0	
BOILER CONTROLS TDR		08/24/10		0	
BOILER CONTROL SYSTEM BCS-1		08/24/10		0	
CONTROL SIGNAL TO B-1		08/24/10		0	
CONTROL SIGNAL TO B-2		08/24/10		0	
CONTROL SIGNAL TO B-3		08/24/10		0	
POWER SUPPLY		08/24/10		0	
CONTROL SIGNAL FROM BCS-1		08/24/10		0	
PUMP POWER SUPPLY		08/24/10		0	
BOILER CONTROLS TDR		08/24/10		0	
BOILER CONTROLS TDR		08/24/10		0	
BOILER CONTROL SYSTEM BCS-1		08/24/10		0	
CONTROL SIGNAL TO B-1		08/24/10		0	
CONTROL SIGNAL TO B-2		08/24/10		0	
CONTROL SIGNAL TO B-3		08/24/10		0	
POWER SUPPLY		08/24/10		0	
CONTROL SIGNAL FROM BCS-1		08/24/10		0	
PUMP POWER SUPPLY		08/24/10		0	
BOILER CONTROLS TDR		08/24/10		0	
BOILER CONTROLS TDR		08/24/10		0	
BOILER CONTROL SYSTEM BCS-1		08/24/10		0	
CONTROL SIGNAL TO B-1		08/24/10		0	
CONTROL SIGNAL TO B-2		08/24/10		0	
CONTROL SIGNAL TO B-3		08/24/10		0	
POWER SUPPLY		08/24/10		0	
CONTROL SIGNAL FROM BCS-1		08/24/10		0	
PUMP POWER SUPPLY		08/24/10		0	
BOILER CONTROLS TDR		08/24/10		0	
BOILER CONTROLS TDR		08/24/10		0	
BOILER CONTROL SYSTEM BCS-1		08/24/10		0	
CONTROL SIGNAL TO B-1		08/24/10		0	
CONTROL SIGNAL TO B-2		08/24/10		0	
CONTROL SIGNAL TO B-3		08/24/10		0	
POWER SUPPLY		08/24/10		0	
CONTROL SIGNAL FROM BCS-1		08/24/10		0	
PUMP POWER SUPPLY		08/24/10		0	
BOILER CONTROLS TDR		08/24/10		0	
BOILER CONTROLS TDR		08/24/10		0	
BOILER CONTROL SYSTEM BCS-1		08/24/10		0	
CONTROL SIGNAL TO B-1		08/24/10		0	
CONTROL SIGNAL TO B-2		08/24/10		0	
CONTROL SIGNAL TO B-3		08/24/10		0	
POWER SUPPLY		08/24/10		0	
CONTROL SIGNAL FROM BCS-1		08/24/10		0	
PUMP POWER SUPPLY		08/24/10		0	
BOILER CONTROLS TDR		08/24/10		0	
BOILER CONTROLS TDR		08/24/10		0	
BOILER CONTROL SYSTEM BCS-1		08/24/10		0	
CONTROL SIGNAL TO B-1		08/24/10		0	
CONTROL SIGNAL TO B-2		08/24/10		0	
CONTROL SIGNAL TO B-3		08/24/10		0	
POWER SUPPLY		08/24/10		0	
CONTROL SIGNAL FROM BCS-1		08/24/10		0	
PUMP POWER SUPPLY		08/24/10		0	
BOILER CONTROLS TDR		08/24/10		0	
BOILER CONTROLS TDR		08/24/10		0	
BOILER CONTROL SYSTEM BCS-1		08/24/10		0	
CONTROL SIGNAL TO B-1		08/24/10		0	
CONTROL SIGNAL TO B-2		08/24/10		0	
CONTROL SIGNAL TO B-3		08/24/10		0	
POWER SUPPLY		08/24/10		0	
CONTROL SIGNAL FROM BCS-1		08/24/10		0	
PUMP POWER SUPPLY		08/24/10		0	
BOILER CONTROLS TDR		08/24/10		0	
BOILER CONTROLS TDR		08/24/10		0	
BOILER CONTROL SYSTEM BCS-1		08/24/10		0	
CONTROL SIGNAL TO B-1		08/24/10		0	
CONTROL SIGNAL TO B-2		08/24/10		0	
CONTROL SIGNAL TO B-3		08/24/10		0	
POWER SUPPLY		08/24/10		0	
CONTROL SIGNAL FROM BCS-1		08/24/10		0	
PUMP POWER SUPPLY		08/24/10		0	
BOILER CONTROLS TDR		08/24/10		0	
BOILER CONTROLS TDR		08/24/10		0	
BOILER CONTROL SYSTEM BCS-1		08/24/10		0	
CONTROL SIGNAL TO B-1		08/24/10		0	
CONTROL SIGNAL TO B-2		08/24/10		0	
CONTROL SIGNAL TO B-3		08/24/10		0	
POWER SUPPLY		08/24/10		0	
CONTROL SIGNAL FROM BCS-1		08/24/10		0	
PUMP POWER SUPPLY		08/24/10		0	
BOILER CONTROLS TDR		08/24/10		0	
BOILER CONTROLS TDR		08/24/10		0	
BOILER CONTROL SYSTEM BCS-1		08/24/10		0	
CONTROL SIGNAL TO B-1		08/24/10		0	
CONTROL SIGNAL TO B-2		08/24/10		0	
CONTROL SIGNAL TO B-3		08/24/10		0	
POWER SUPPLY		08/24/10		0	
CONTROL SIGNAL FROM BCS-1		08/24/10		0	
PUMP POWER SUPPLY		08/24/10		0	
BOILER CONTROLS TDR		08/24/10		0	
BOILER CONTROLS TDR		08/24/10		0	
BOILER CONTROL SYSTEM BCS-1		08/24/10		0	
CONTROL SIGNAL TO B-1		08/24/10		0	
CONTROL SIGNAL TO B-2		08/24/10		0	
CONTROL SIGNAL TO B-3		08/24/10		0	
POWER SUPPLY		08/24/10		0	
CONTROL SIGNAL FROM BCS-1		08/24/10		0	
PUMP POWER SUPPLY		08/24/10		0	
BOILER CONTROLS TDR		08/24/10		0	
BOILER CONTROLS TDR		08/24/10		0	
BOILER CONTROL SYSTEM BCS-1		08/24/10		0	
CONTROL SIGNAL TO B-1		08/24/10		0	
CONTROL SIGNAL TO B-2		08/24/10		0	
CONTROL SIGNAL TO B-3		08/24/10		0	
POWER SUPPLY		08/24			