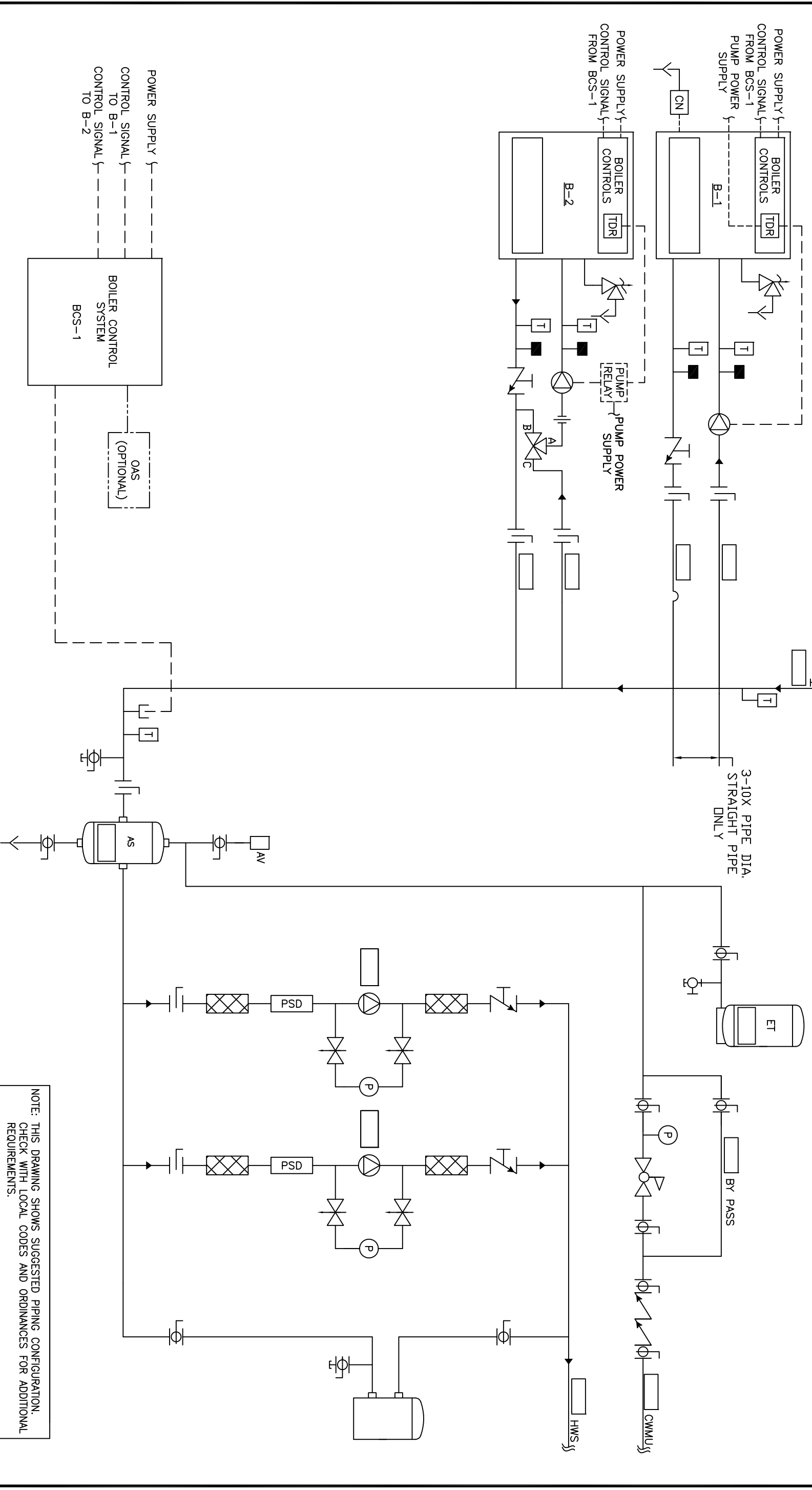


RECC ALL PIPING TO BE SIZED PER ASHARE F36



NOTE: THIS DRAWING SHOWS SUGGESTED PIPING CONFIGURATION. CHECK WITH LOCAL CODES AND ORDINANCES FOR ADDITIONAL REQUIREMENTS.

REV		DESCRIPTION		BY		DATE		<p>THIS DRAWING AND THE INFORMATION DERIVED THEREIN IS THE PROPERTY OF CHC, CALIFORNIA HYDRONICS CORP. COPIES ARE ISSUED IN STRICT CONFIDENCE AND ARE NOT TO BE REPRODUCED OR COPIED OR USED AS THE BASIS FOR THE MANUFACTURING, INSTALLATION OR SALE OF PRODUCT WITHOUT PRIOR WRITTEN PERMISSION OF CHC.</p>	
A	RELEASED	DK	08/24/10	DK	08/24/10	<p>PROJECT NAME: HYBRID PRIMARY/ SECONDARY - 1 CONDENSING, 1 NON CONDENSING WITH TEMP PROTECTION WITH SYSTEM PUMP</p> <p>PROJECT LOCATION: H-PS-502-B2-2</p> <p>ENGINEER: H-PS-502-B2-2</p> <p>CUSTOMER: TOLERANCES UNLESS OTHERWISE SPECIFIED</p>			
DRAWING TITLE:		DRAWING No.		DRAWN BY/DATE		CHECKED/DATE		<p>SCALE: 1"=1'-0"</p> <p>ANGLE: 30°</p> <p>SIZE: D</p>	

