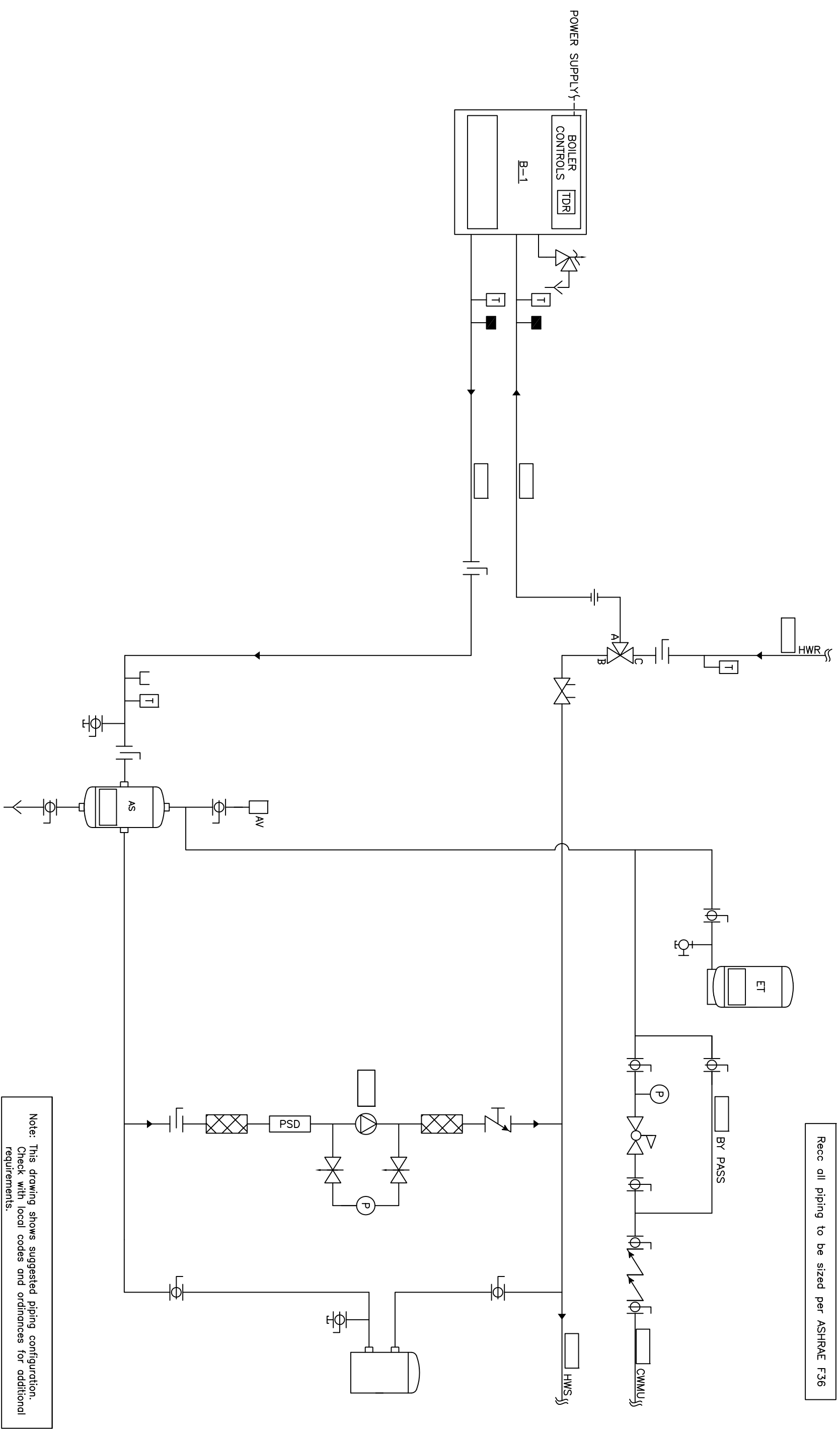


Recc all piping to be sized per ASHRAE F36



Note: This drawing shows suggested piping configuration. Check with local codes and ordinances for additional requirements.

<p>THIS DRAWING AND THE INFORMATION PERMITTED HEREIN IS THE PROPERTY OF CHC. CALIFORNIA HYDRONICS CORP. COPIES ARE ISSUED IN STRICT CONFIDENCE AND SHALL NOT BE REPRODUCED OR COPIED, OR USED AS INSTALLATION OR SALE OF PRODUCT WITHOUT PRIOR WRITTEN PERMISSION OF CHC.</p>		<p>PROJECT NAME: PROJECT LOCATION: ENGINEER: CUSTOMER:</p>		<p>DRAWING TITLE: HYDRONIC VARIABLE VOLUME PRIMARY SYSTEM - ATMOSPHERIC BOILER, INDIVIDUAL FPE VALVE, WITH SYSTEM PUMP DRAWING No. H-VP-100-11F-1 DRAWN BY/DATE: [ ]/05/23/08 CHECKED: [ ] APPROVED/DEC: [ ] SCALE: 5" = 1'-0" SIZE: D SCALE: NTS</p>	
REV	DESCRIPTION	BY	DATE		
A	RELEASED	RSG	05/28/08		

