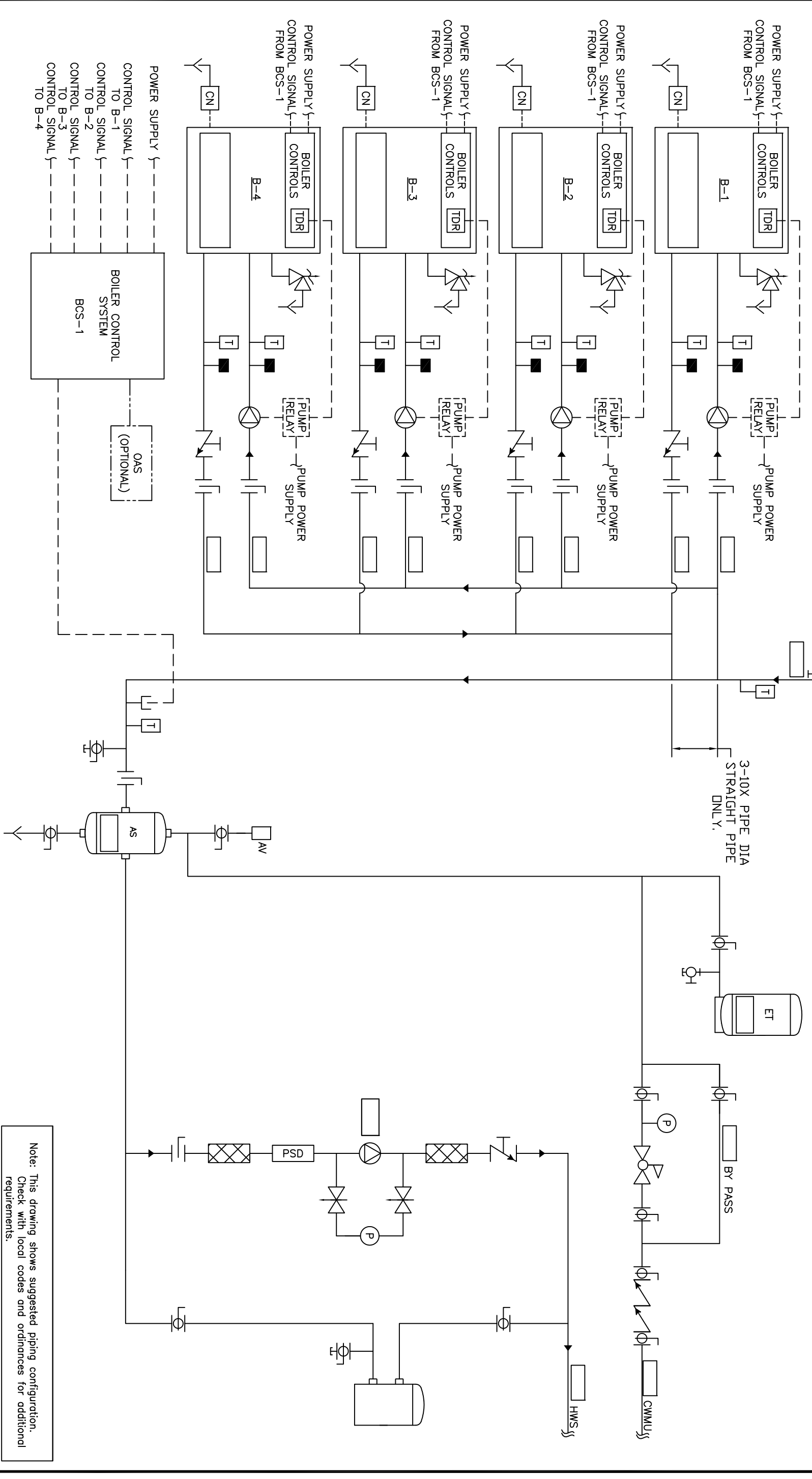


Recc all piping to be sized per ASHRAE F36.



Note: This drawing shows suggested piping configuration. Check with local codes and ordinances for additional requirements.

<p>THIS DRAWING AND THE INFORMATION DERIVED THEREIN IS THE PROPERTY OF CHC. CALIFORNIA HYDRAONICS CORP. COPIES ARE ISSUED IN STRICT CONFIDENCE AND SHALL NOT BE REPRODUCED OR COPIED, OR USED AS INSTALLATION OR SALE OF PRODUCT WITHOUT PRIOR WRITTEN PERMISSION OF CHC.</p>		<p>PROJECT NAME: PROJECT LOCATION: ENGINEER: CUSTOMER:</p>	
<p>DRAWING TITLE: HYDRONIC PRIMARY/SECONDARY - 4 FULLY CONDENSING BOILERS, BUILT IN TEMP PROTECTION WITH EXTERNAL PRIMARY PUMP STARTER AND SYSTEM PUMP</p>		<p>DRAWING No. H-PS-402-4B1-1 DRAWN BY/DATE: [Name]/05/23/08 CHECKED/DATE: [Name] APPROVED/DATE: [Name]</p>	
<p>DRAWING No. H-PS-402-4B1-1</p>		<p>SCALE: 1" = 1'-0" ANGLE: 5° SIZE: D</p>	
<p>REV A</p>		<p>SCALE: NTS</p>	
<p>RELEASED</p>		<p>DATE: RSG 05/28/08</p>	
<p>DESCRIPTION</p>		<p>BY</p>	

