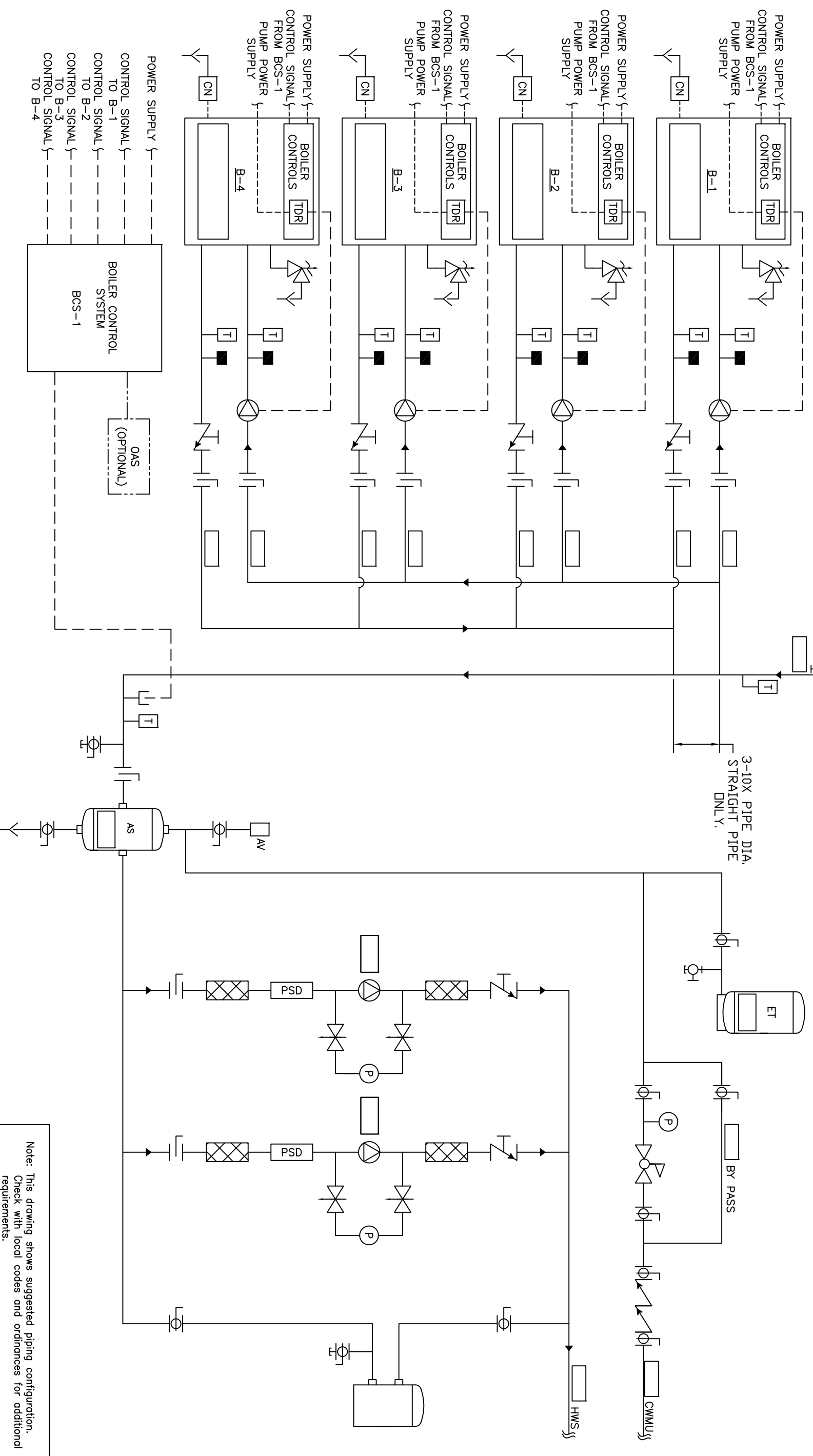


Recc all piping to be sized per ASHRAE F36.



Note: This drawing shows suggested piping configuration. Check with local codes and ordinances for additional requirements.

PROJECT NAME:		THIS DRAWING AND THE INFORMATION DEPICTED THEREIN IS THE PROPERTY OF FLORENCE SYSTEMS, A DIVISION OF FLORENCE INDUSTRIES, INC. ALL RIGHTS RESERVED. NO PARTS OF THIS DRAWING OR INFORMATION HEREON ARE TO BE REPRODUCED OR COPIED, OR USED AS THE BASIS FOR THE MANUFACTURING, WITHOUT PRIOR WRITTEN PERMISSION OF CHC.	
PROJECT LOCATION:		ENGINEER:	
DRAWING TITLE:		DRAWN BY/DATE:	
HYDRO-PUMP PRIMARY/SECONDARY - 4 FULLY CONDENSING BOILERS, BUILT IN TEMP PROTECTION WITH SEPARATE PRIMARY PUMP POWER AND 2 SYSTEM PUMPS		CHECKED BY/DATE:	
DRAWING No. H-PS-401-4B-2		SCALE:	
REV A		DATE:	
DESCRIPTION:		BY:	
REV A RELEASED		DATE: RSG 05/28/08	
DESCRIPTION:		CUSTOMER:	

