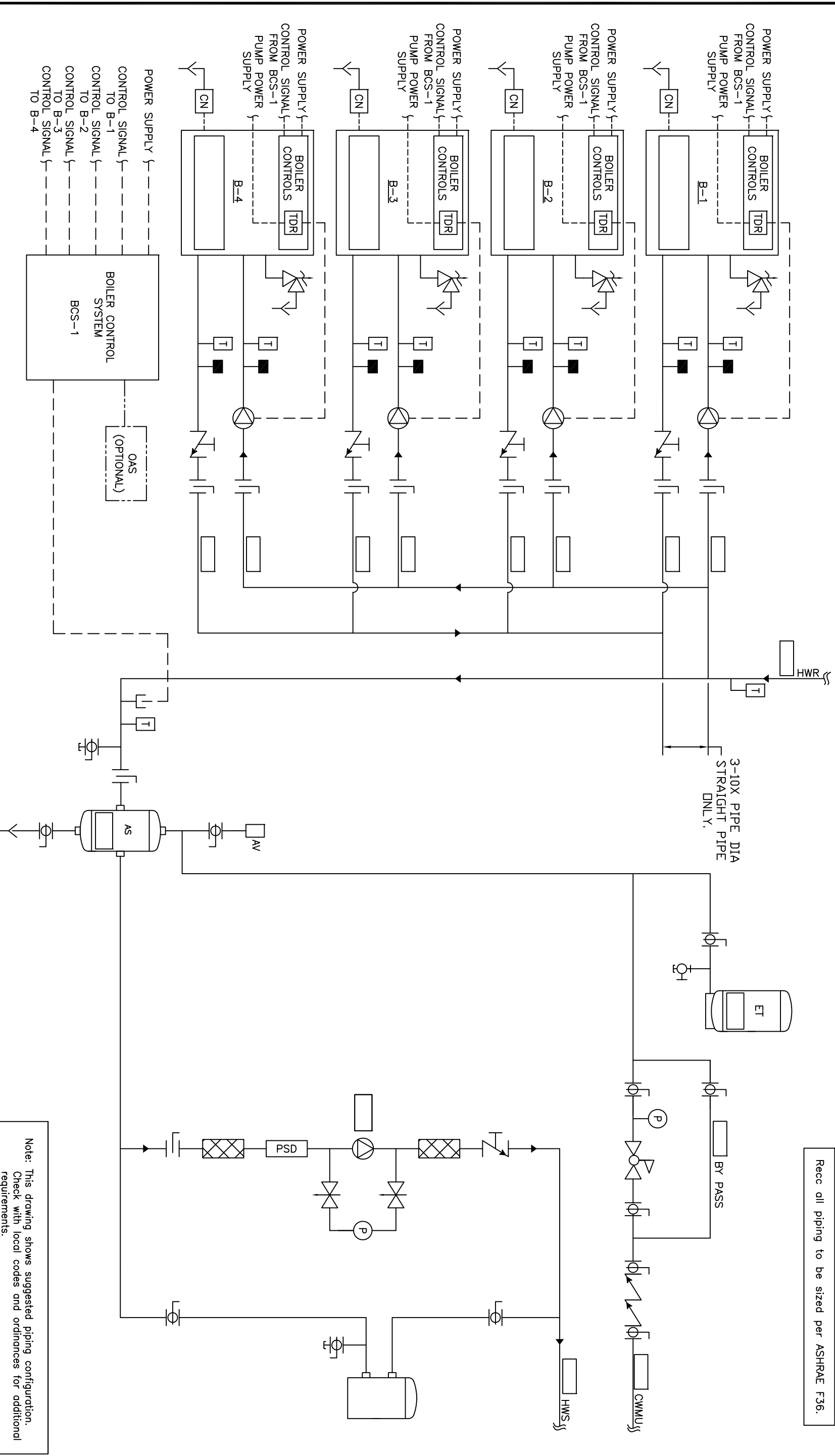


Rec'd all piping to be sized per ASHRAE F36.



Note: This drawing shows suggested piping configuration. Check with local codes and ordinances for additional requirements.

<p>THIS DRAWING AND THE INFORMATION DEPICTED THEREIN IS THE PROPERTY OF CHC, CALIFORNIA HYDRONICS CORP., AND IS NOT TO BE REPRODUCED OR USED AS THE BASIS FOR THE MANUFACTURING, INSTALLATION OR SALE OF PRODUCT WITHOUT THE WRITTEN PERMISSION OF CHC.</p>		<p>PROJECT NAME:</p>
<p>ENGINEER: RSG 05/28/08</p>		<p>PROJECT LOCATION:</p>
<p>BY: [Signature]</p>		<p>DRAWING TITLE:</p>
<p>DATE: 05/28/08</p>		<p>HYDRONIC PRIMARY/SECONDARY - 4 FULLY CONDENSING BOILERS, BUILT IN TEMP PROTECTION WITH SEPARATE PRIMARY PUMP POWER AND SYSTEM PUMP</p>
<p>DESCRIPTION:</p>		<p>DRAWING No. H-PS-401-4B1-1</p>
<p>REV A RELEASED</p>		<p>PERMIT BRIDGE 05/23/08</p>
<p>Customer:</p>		<p>TOLERANCES UNLESS OTHERWISE SPECIFIED: SIZE D, SCALE 1/8" = 1'-0"</p>
<p>CHC CALIFORNIA • RENO 800.486.4858</p>		<p>WASHINGTON • OREGON ALASKA • IDAHO • MONTANA 888.690.0090</p>