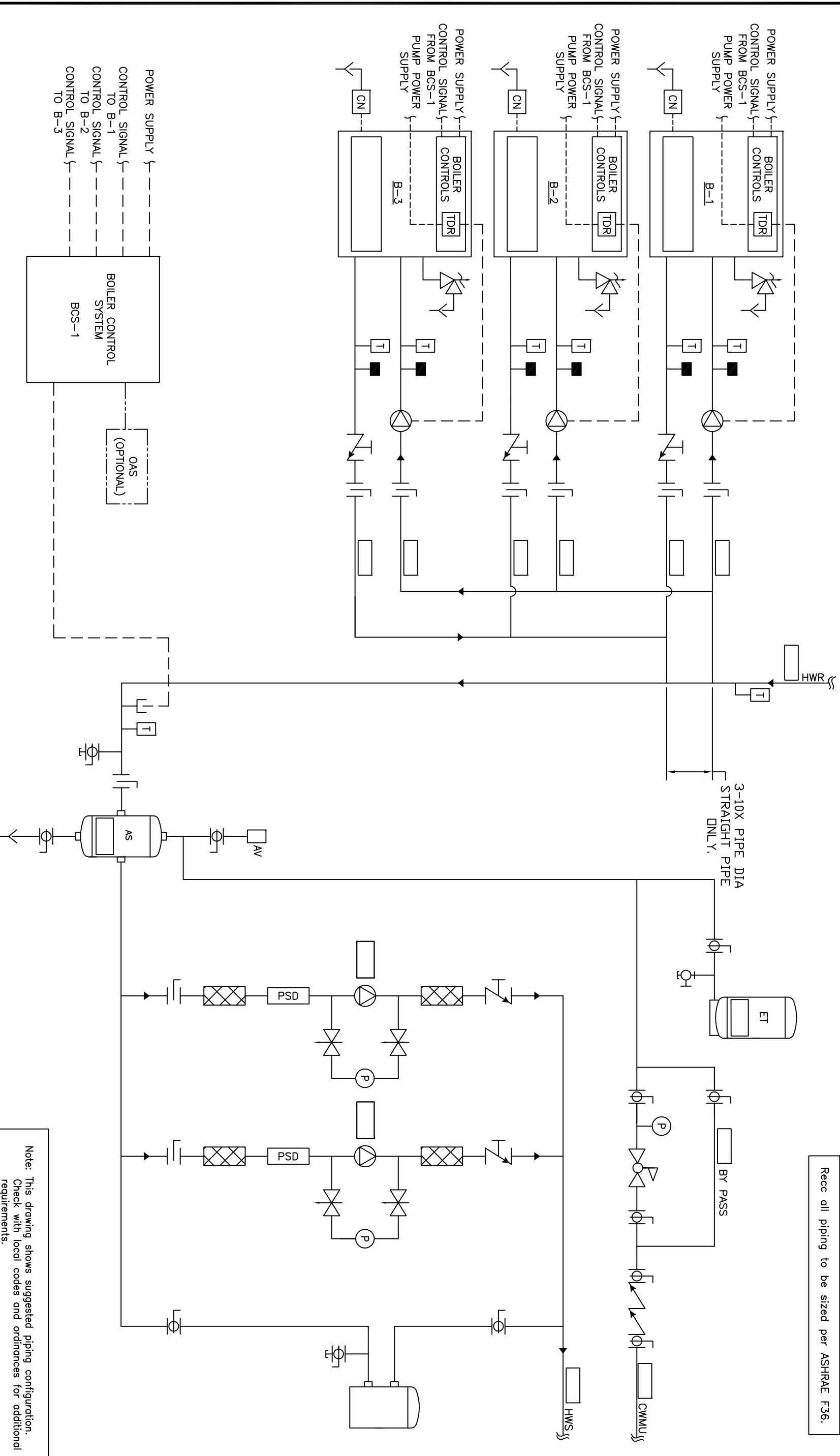


Rec'd all piping to be sized per ASHRAE F36.



Note: This drawing shows suggested piping configuration. Check with local codes and ordinances for additional requirements.

<p>THIS DRAWING AND THE INFORMATION DEPICTED THEREIN IS THE PROPERTY OF CHC, CALIFORNIA HYDRONICS CORP., AND IS NOT TO BE REPRODUCED OR USED AS THE BASIS FOR THE MANUFACTURING, INSTALLATION OR SALE OF PRODUCT OR SERVICE WITHOUT WRITTEN PERMISSION OF CHC.</p>		<p>PROJECT NAME: HYDRONIC PRIMARY/SECONDARY - 3 FULLY CONDENSING BOILERS, BUILT IN TEMP PROTECTION WITH SEPARATE PRIMARY PUMP POWER AND 2 SYSTEM PUMPS</p>	
<p>PROJECT LOCATION: H-PS-401-3B1-2</p>		<p>DRAWING No. H-PS-401-3B1-2</p>	
<p>ENGINEER: RSG 05/28/08</p>		<p>DESIGN: RSG 05/23/08</p>	
<p>BY: RSG 05/28/08</p>		<p>CHECKED: []</p>	
<p>DATE: RSG 05/28/08</p>		<p>APPROVED: []</p>	
<p>DESCRIPTION: []</p>		<p>SCALE: A</p>	
<p>REV: []</p>		<p>SIZE: D</p>	

