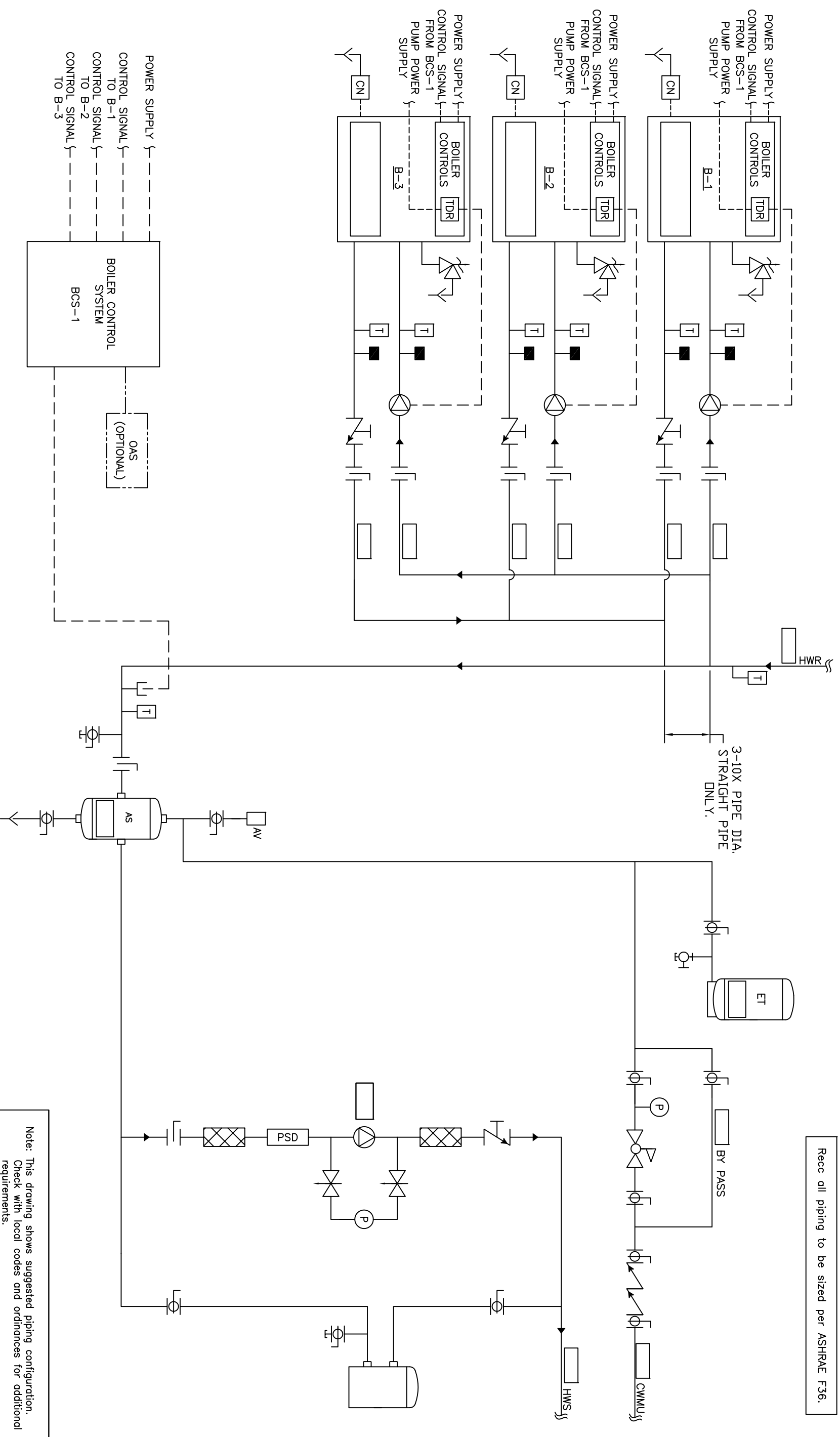


Recc all piping to be sized per ASHRAE F36.



Note: This drawing shows suggested piping configuration. Check with local codes and ordinances for additional requirements.

PROJECT NAME:		THIS DRAWING AND THE INFORMATION DEPICTED THEREIN IS THE PROPERTY OF FLORENCE SYSTEMS, A DIVISION OF FLORENCE INDUSTRIES, INC. ALL RIGHTS RESERVED. NO PARTS OF THIS DRAWING OR THE INFORMATION DEPICTED THEREIN ARE TO BE REPRODUCED OR COPIED, OR USED AS THE BASIS FOR THE MANUFACTURING, WITHOUT PRIOR WRITTEN PERMISSION OF CHC.	
PROJECT LOCATION:		ENGINEER:	
DRAWING TITLE:		DRAWING No.	
HYDRONIC PRIMARY/SECONDARY - 3 FULLY CONDENSING BOILERS, BUILT IN TEMP PROTECTION WITH SEPERATE PRIMARY PUMP AND SYSTEM PUMP		H-PS-401-3B1-1	
DRAWING BY:		CHECKED BY:	
RSG 05/28/08		05/23/08	
DATE:		SCALE:	
BY:		500'	
DESCRIPTION:		REV	
A RELEASED		A	
REV		CUSTOMER:	

