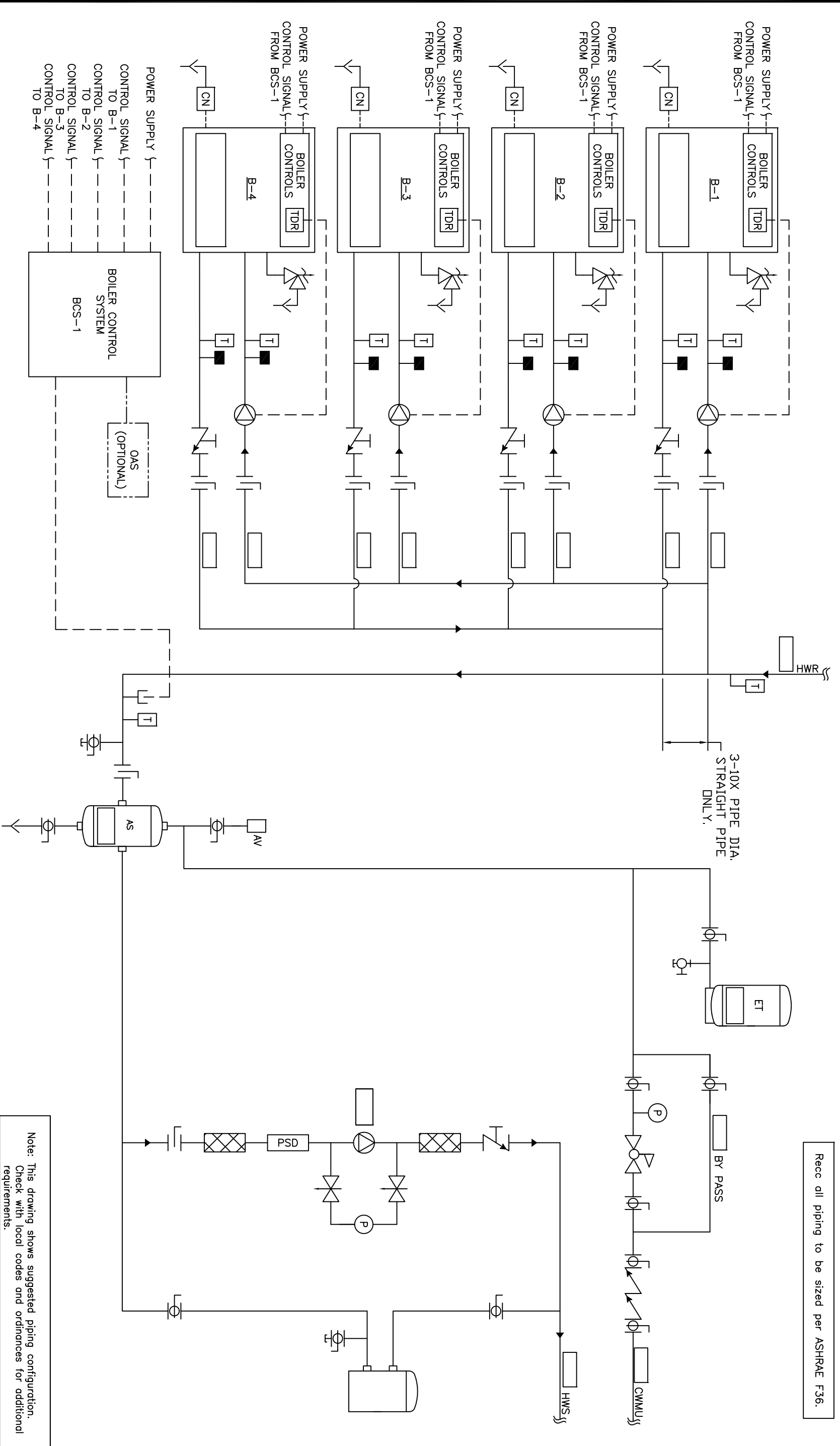


Recc all piping to be sized per ASHRAE F36.



Note: This drawing shows suggested piping configuration. Check with local codes and ordinances for additional requirements.

<p>THIS DRAWING AND THE INFORMATION CONTAINED HEREIN ARE THE PROPERTY OF CHC, CALIFORNIA HYDRONICS CORP. CONFERRED AND SHALL NOT BE REPRODUCED OR TRANSMITTED IN ANY FORM OR BY ANY MEANS, ELECTRONIC OR MECHANICAL, INCLUDING PHOTOCOPYING, RECORDING, OR BY ANY INFORMATION STORAGE AND RETRIEVAL SYSTEM, WITHOUT PRIOR WRITTEN PERMISSION OF CHC.</p>	
<p>PROJECT NAME: HYDRONIC PRIMARY/SECONDARY - 4 FULLY CONDENSING BOILERS, BUILT IN TEMP PROTECTION WITH SYSTEM PUMP</p>	<p>PROJECT LOCATION: H-PS-400-4B1-1</p>
<p>ENGINEER: RSG 05/28/08</p>	<p>DATE: RSG 05/28/08</p>
<p>CUSTOMER:</p>	<p>BY:</p>
<p>DRAWING No. H-PS-400-4B1-1</p>	<p>REV A</p>
<p>DRAWN BY/DWG DATE D.K. 05/29/08</p>	<p>CHECKED/APPROVED/DEC. 500"</p>
<p>SIZE 0</p>	<p>SCALE N.T.S.</p>
<p>CHC CALIFORNIA • RENO 800.486.4858 WASHINGTON • OREGON ALASKA • IDAHO • MONTANA 888.690.0090</p>	
<p>DESCRIPTION</p>	<p>REV A RELEASED</p>