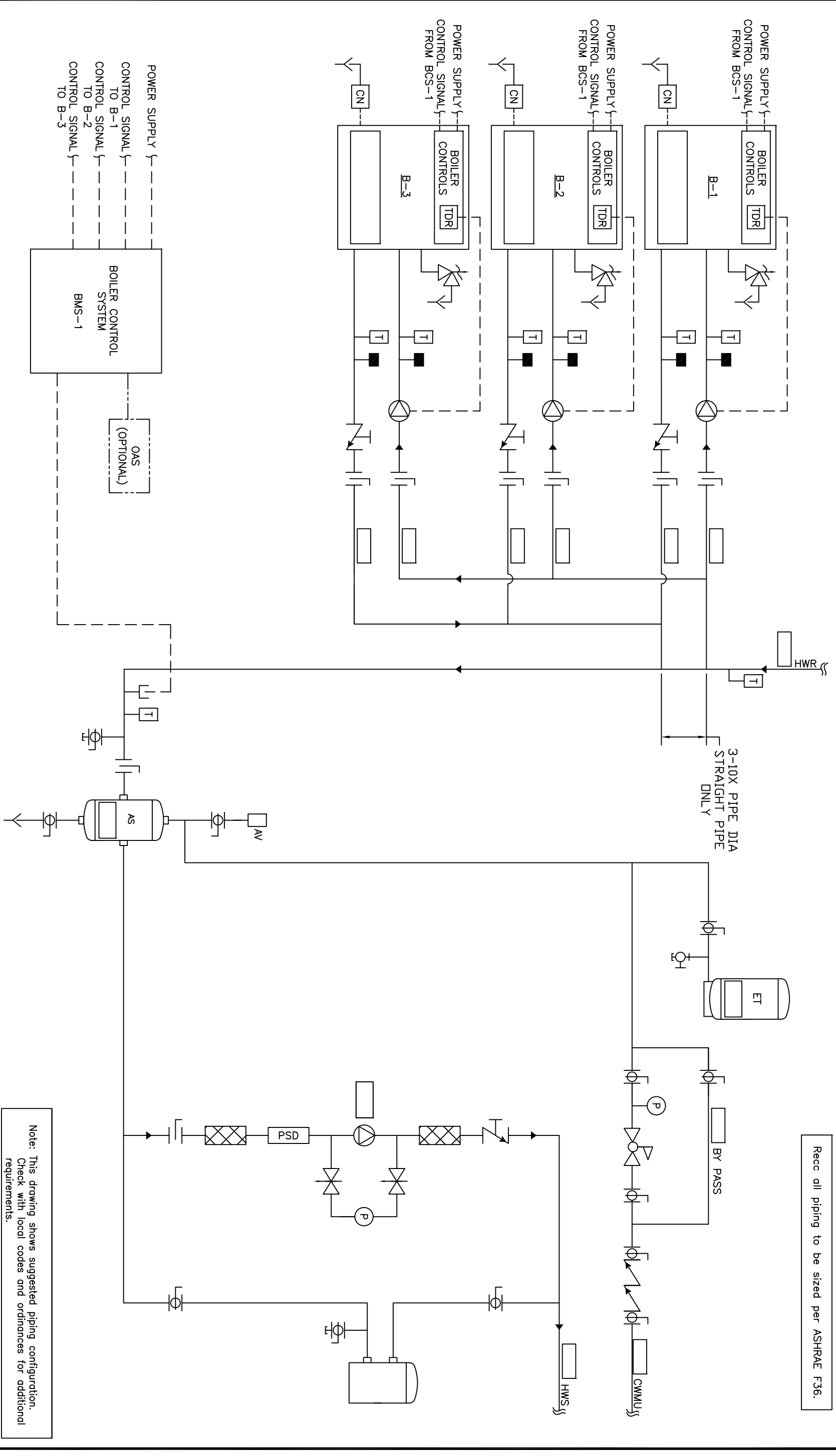


Recc all piping to be sized per ASHRAE F36.



Note: This drawing shows suggested piping configuration. Check with local codes and ordinances for additional requirements.

REV		DESCRIPTION		BY	DATE	THIS DRAWING AND THE INFORMATION PERIODIC HEREIN IS THE PROPERTY OF CHC, CALIFORNIA HYDRONICS CORP. COPIES ARE ISSUED IN STRICT CONFIDENCE AND SHALL NOT BE REPRODUCED OR COPIED, OR USED AS INSTALLATION OR SALE OF PRODUCT WITHOUT PRIOR WRITTEN PERMISSION OF CHC.		PROJECT NAME:		DRAWING TITLE:	
A	RELEASED			RSG	05/28/08	PROJECT LOCATION:		HYDRONIC PRIMARY/SECONDARY - 3 FULLY CONDENSING BOILERS, BUILT IN TEMP PROTECTION WITH SYSTEM PUMP		DRAWING No. H-PS-400-3B1-1	
						ENGINEER:		CHECKED/TOLERANCES:		SPECIFIED	
						CUSTOMER:		CHECKED/APPROVED/DEC:		ANGLE 5°	
										SIZE D	
										SCALE NTS	
										REV A	

