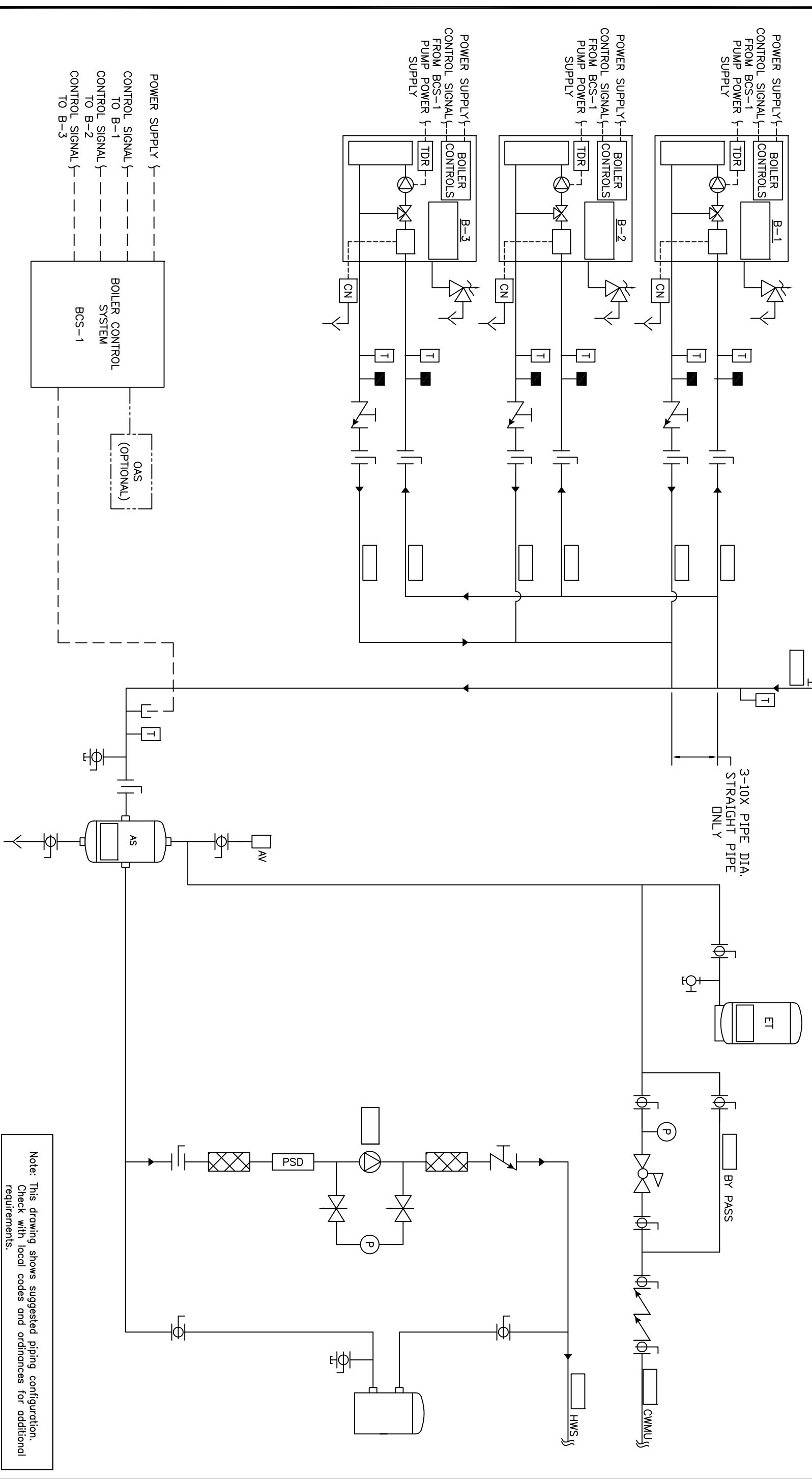


Recc all piping to be sized per ASHRAE F36.



Note: This drawing shows suggested piping configuration. Check with local codes and ordinances for additional requirements.

REV		DESCRIPTION		BY		DATE		THIS DRAWING AND THE INFORMATION PERMITTED HEREIN IS THE PROPERTY OF CHC. CALIFORNIA HYDRONICS CORP. COPIES ARE ISSUED IN STRICT CONFIDENCE AND SHALL NOT BE REPRODUCED OR COPIED, OR USED AS INSTALLATION OR SALE OF PRODUCT WITHOUT PRIOR WRITTEN PERMISSION OF CHC.		PROJECT NAME:		DRAWING TITLE: PRIMARY/SECONDARY - 3 CONDENSING HYDRONIC CONDENSING BOILERS, BUILT IN TEMP PROTECTION WITH SEPARATE PRIMARY PUMP POWER AND SYSTEM PUMP		DRAWN BY/DATE: H-PS-301-3B1-1 / 05/23/08		CHECKED/DATE: [] / []		APPROVED/DATE: [] / []		SCALE: NTS	
A		RELEASED		RSG		05/28/08		PROJECT LOCATION:		ENGINEER:		CUSTOMER:		H-PS-301-3B1-1		5"		D		A	

