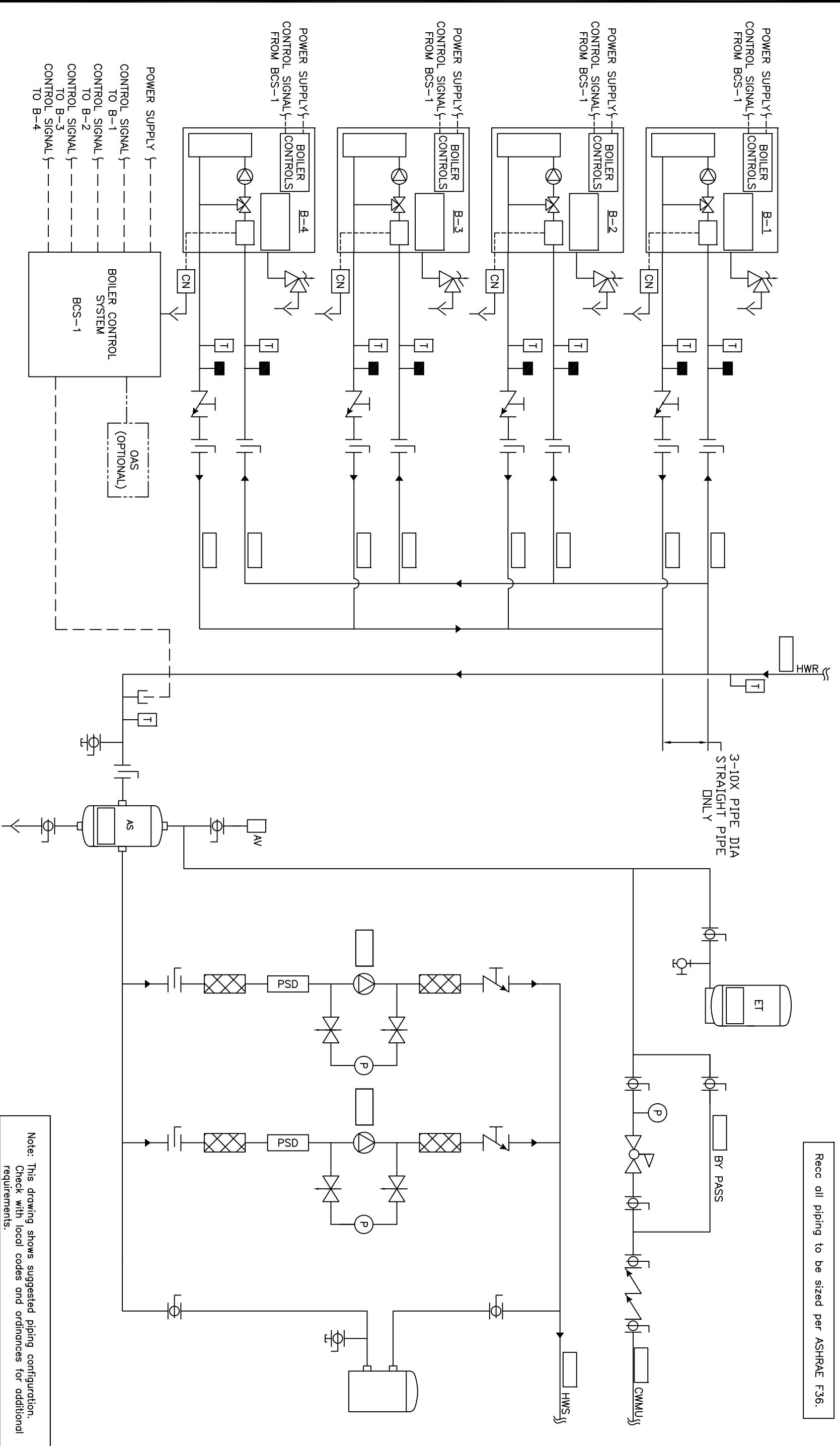


Rec all piping to be sized per ASHRAE F36.



Note: This drawing shows suggested piping configuration. Check with local codes and ordinances for additional requirements.

<p>THIS DRAWING AND THE INFORMATION CONTAINED HEREIN ARE THE PROPERTY OF CHC, CALIFORNIA HYDRONICS CORP. NO PART OF THIS DRAWING OR INFORMATION SHALL BE REPRODUCED OR TRANSMITTED IN ANY FORM OR BY ANY MEANS, ELECTRONIC OR MECHANICAL, INCLUDING PHOTOCOPYING, RECORDING, OR BY ANY INFORMATION STORAGE AND RETRIEVAL SYSTEM, WITHOUT PRIOR WRITTEN PERMISSION OF CHC.</p>	
<p>PROJECT NAME: HYDRONIC PRIMARY/SECONDARY - 4 ECONOMIZER CONDENSING BOILERS, NO TEMP PROTECTION WITH 2 SYSTEM PUMPS</p>	<p>PROJECT LOCATION: H-PS-300-4XX-2</p>
<p>ENGINEER: RSG 05/28/08</p>	<p>CUSTOMER: TOLERANCES UNLESS OTHERWISE SPECIFIED 500" 5' 0</p>
<p>DATE: RSG 05/28/08</p>	<p>SCALE: A</p>
<p>DESCRIPTION: A</p>	<p>REV: A</p>
<p>RELEASED</p>	<p>BY</p>
<p>REV</p>	<p>DATE</p>

CALIFORNIA • RENO
 800.486.4858
 WASHINGTON • OREGON
 ALASKA • IDAHO • MONTANA
 888.690.0090