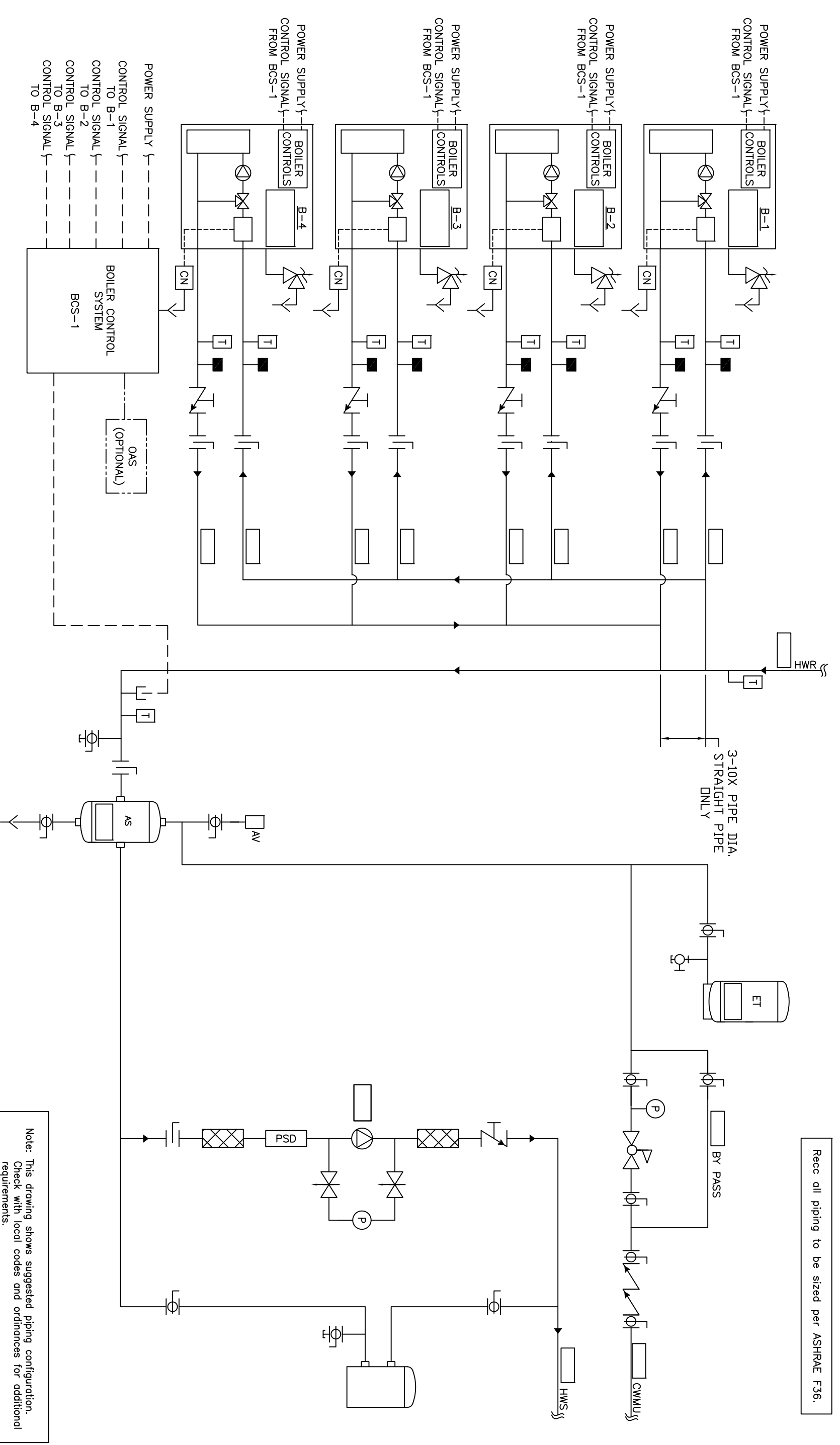


Recc all piping to be sized per ASHRAE F36.



Note: This drawing shows suggested piping configuration. Check with local codes and ordinances for additional requirements.

<p>THIS DRAWING AND THE INFORMATION DEPICTED THEREIN IS THE PROPERTY OF CHC. A DIVISION OF CHC ENGINEERING, INC. ALL RIGHTS ARE RESERVED. NO PARTS OF THIS DRAWING OR THE INFORMATION DEPICTED THEREIN SHALL BE REPRODUCED OR COPIED, OR USED AS THE BASIS FOR THE MANUFACTURING, WITHOUT PRIOR WRITTEN PERMISSION OF CHC.</p>		<p>PROJECT NAME: HYDRONIC PRIMARY/SECONDARY - 4 ECONOMIZER CONDENSING BOILERS, BUILT IN TEMP PROTECTION WITH SYSTEM PUMP</p>
<p>REV A RELEASED</p>	<p>BY RSG DATE 05/28/08</p>	<p>DRAWING TITLE: HYDRONIC PRIMARY/SECONDARY - 4 ECONOMIZER CONDENSING BOILERS, BUILT IN TEMP PROTECTION WITH SYSTEM PUMP</p>
<p>DESCRIPTION</p>	<p>DATE</p>	<p>DRAWING No. H-PS-300-4B1-1</p>
<p>BY</p>	<p>DATE</p>	<p>DRAWN BY/DATE: RSG/05/23/08</p>
<p>CUSTOMER:</p>	<p>ENGINEER:</p>	<p>CHECKED BY/DATE: []/[]</p>
<p>SCALE: 1" = 10'-0"</p>	<p>SIZE: 18" x 24"</p>	<p>SCALE: NTS</p>
<p>CHC</p>	<p>CHC</p>	<p>CHC</p>
<p>CALIFORNIA • RENO 800.486.4858</p>	<p>WASHINGTON • OREGON ALASKA • IDAHO • MONTANA</p>	<p>888.690.0090</p>