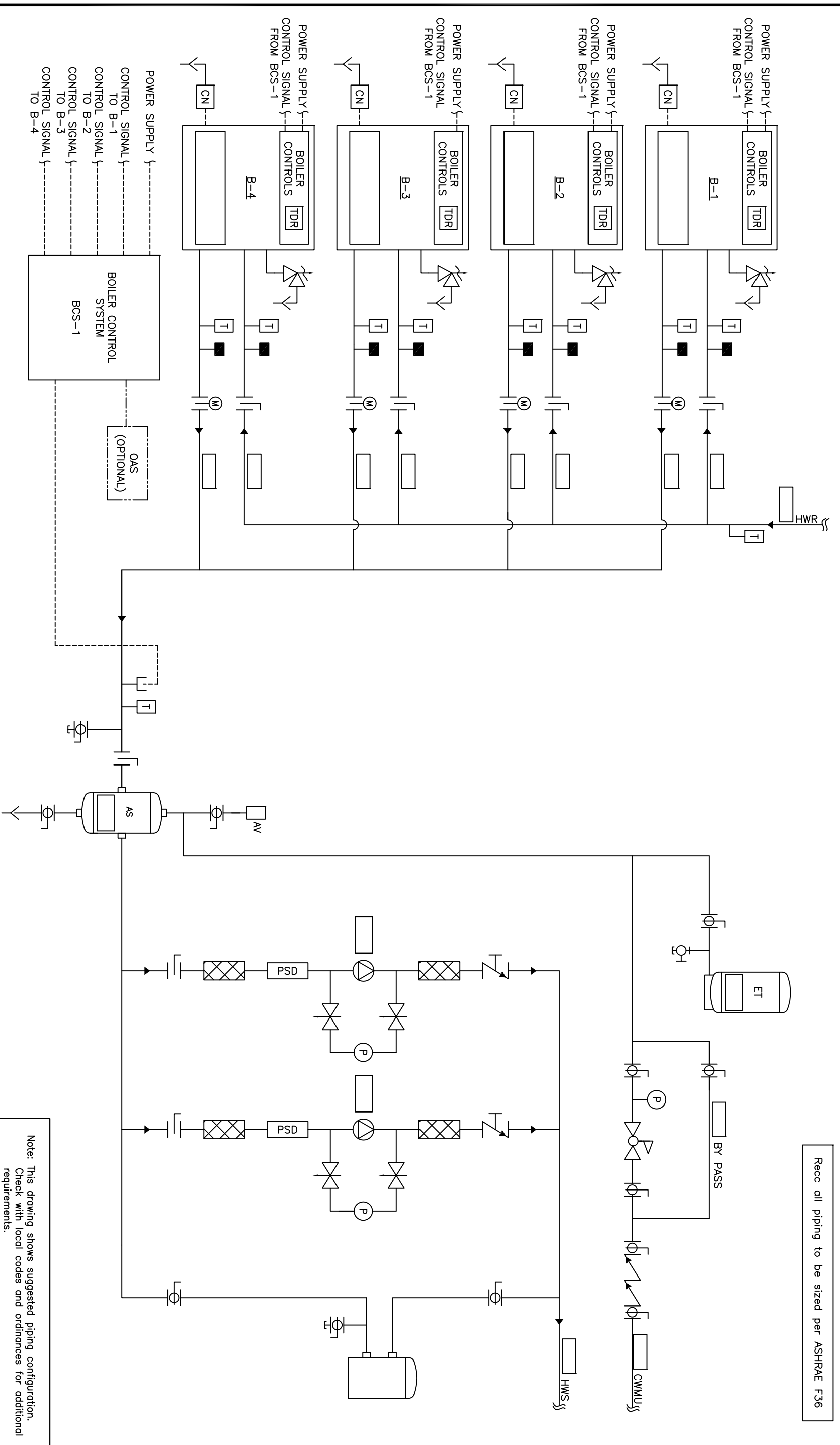


Recc all piping to be sized per ASHRAE F36



Note: This drawing shows suggested piping configuration. Check with local codes and ordinances for additional requirements.

<p>THIS DRAWING AND THE INFORMATION OF DEPICTED THEREIN IS THE PROPERTY OF CHC, CALIFORNIA HYDRONICS CORP., AND IS NOT TO BE REPRODUCED OR COPIED, OR USED AS THE BASIS FOR THE MANUFACTURING, INSTALLATION OR SALE OF PRODUCT OR SERVICE WITHOUT THE WRITTEN PERMISSION OF CHC.</p>	
<p>PROJECT NAME:</p>	<p>HYDRONIC VARIABLE VOLUME PRIMARY SYSTEM - 4 FULLY CONDENSING BOILERS WITH MOTORIZED VALVES AND 2 SYSTEM PUMPS</p>
<p>PROJECT LOCATION:</p>	<p>DRAWING No. H-VP-400-4MV-2</p>
<p>ENGINEER:</p>	<p>DESIGNED BY: D.K. 5/23/08</p>
<p>CUSTOMER:</p>	<p>CHECKED BY: D.K. 05/23/08</p>
<p>REV</p>	<p>SCALE</p>
<p>A</p>	<p>1/4"</p>
<p>RELEASED</p>	<p>DATE</p>
<p>5/23/08</p>	<p>DATE</p>
<p>D.K.</p>	<p>DATE</p>
<p>DESCRIPTION</p>	<p>DESCRIPTION</p>

