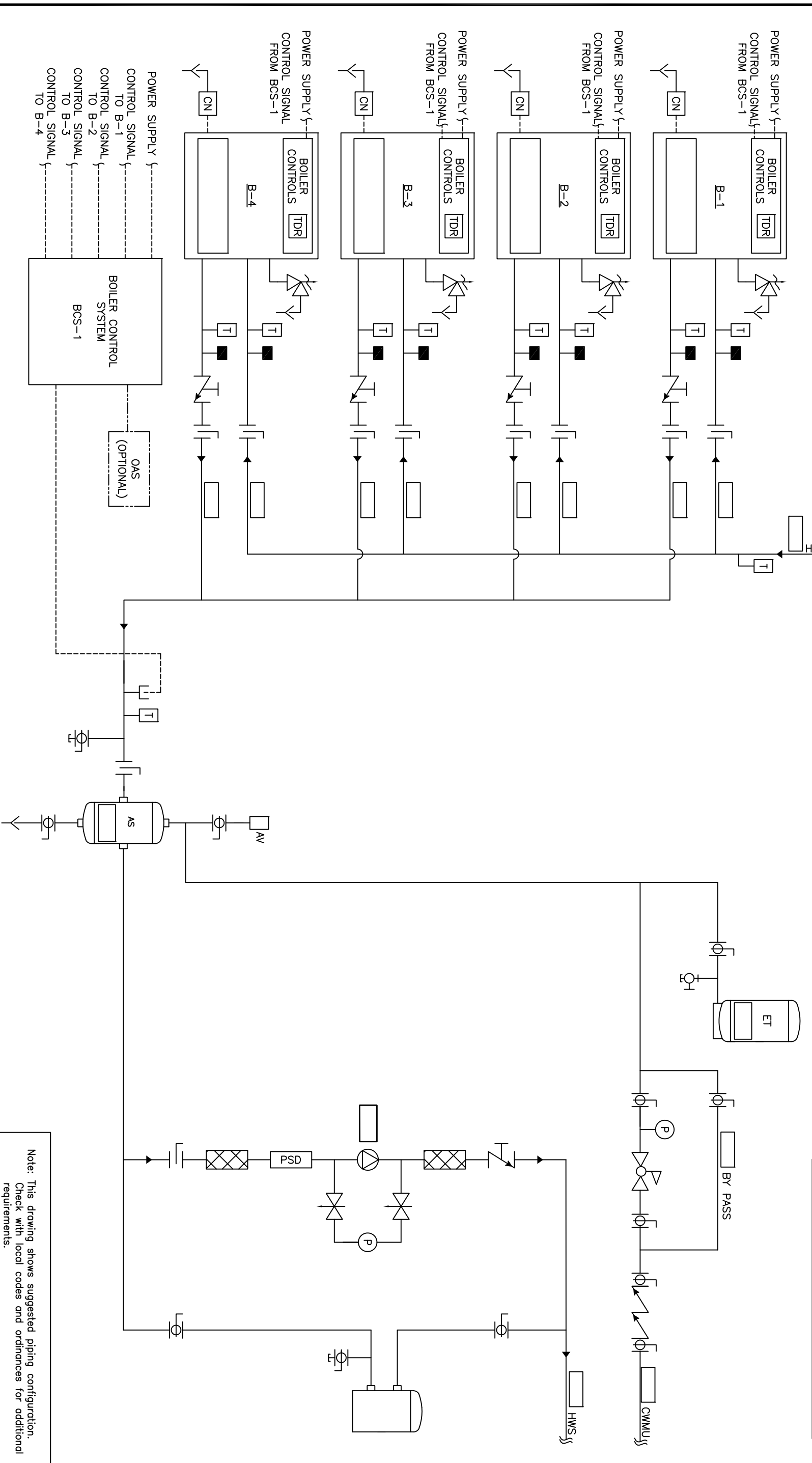


Recc all piping to be sized per ASHRAE F36



Note: This drawing shows suggested piping configuration. Check with local codes and ordinances for additional requirements.

<p>THIS DRAWING AND THE INFORMATION DEPICTED THEREIN IS THE PROPERTY OF CHC, CALIFORNIA HYDRONICS CORP., AND IS NOT TO BE REPRODUCED OR USED AS THE BASIS FOR THE MANUFACTURING, INSTALLATION OR SALE OF PRODUCT OR SERVICE WITHOUT THE WRITTEN PERMISSION OF CHC.</p>	
PROJECT NAME:	HYDRONIC VARIABLE VOLUME PRIMARY SYSTEM - 4 FULLY CONDENSING BOILERS, BUILT IN TEMP PROTECTION WITH SYSTEM PUMP
PROJECT LOCATION:	
ENGINEER:	D.K.
DATE:	5/23/08
CUSTOMER:	
DRAWING TITLE:	HYDRONIC VARIABLE VOLUME PRIMARY SYSTEM - 4 FULLY CONDENSING BOILERS, BUILT IN TEMP PROTECTION WITH SYSTEM PUMP
DRAWING No.:	H-VP-400-4BI-1
DESIGNED BY:	D.K.
CHECKED BY:	
APPROVED BY:	
DATE:	05/23/08
TOLERANCES UNLESS OTHERWISE SPECIFIED:	±.001
ANGLE:	5°
SIZE:	D
SCALE:	N/S
REV:	A
DESCRIPTION:	RELEASED

