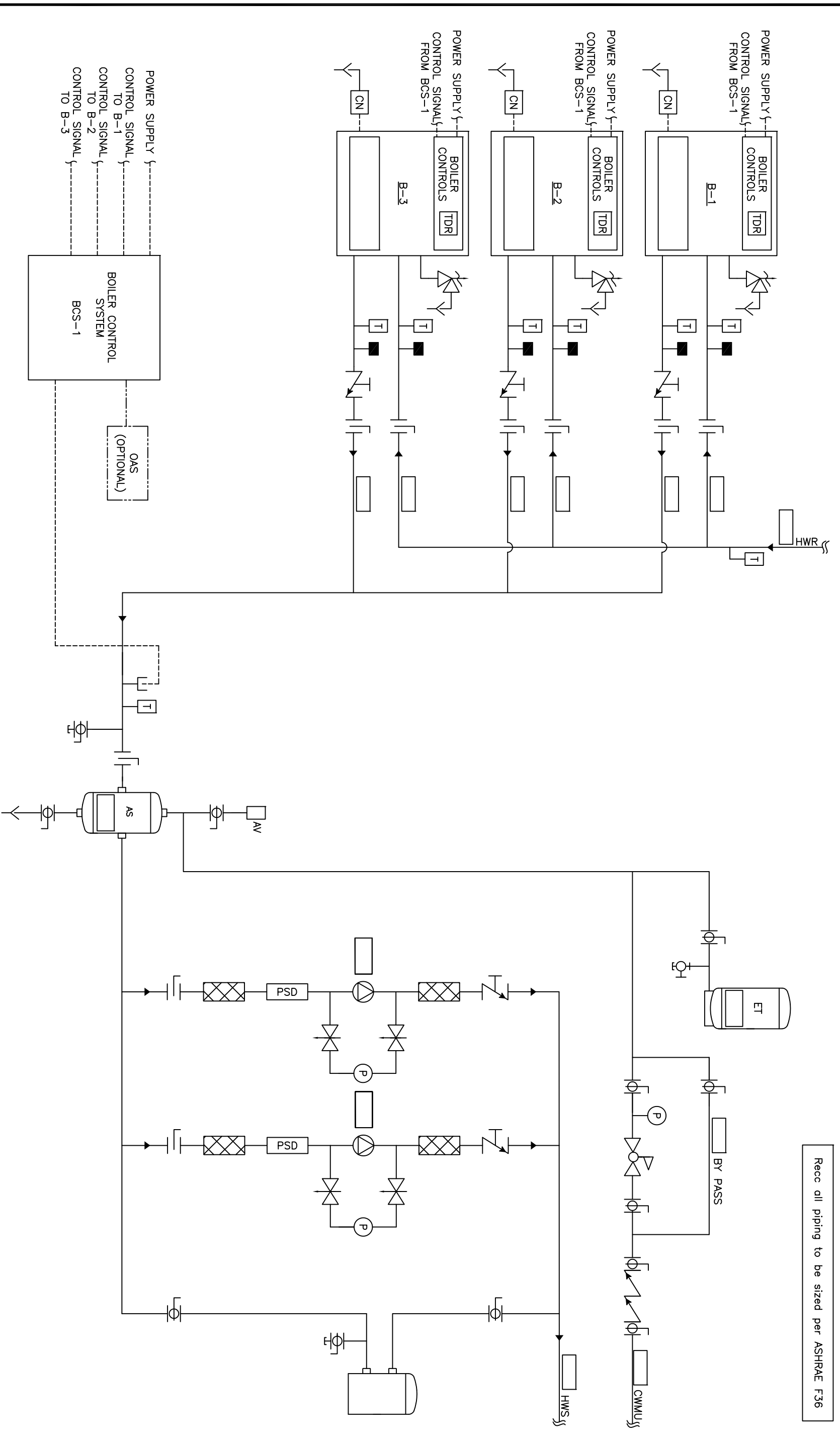


Recc all piping to be sized per ASHRAE F36



<p>THIS DRAWING AND THE INFORMATION DEPICTED THEREIN IS THE PROPERTY OF CHC, CALIFORNIA HYDRONICS CORP., AND SHALL NOT BE REPRODUCED OR USED AS THE BASIS FOR THE MANUFACTURING, INSTALLATION OR SALE OF PRODUCT WITHOUT WRITTEN PERMISSION OF CHC.</p>	
PROJECT NAME:	HYDRONIC VARIABLE VOLUME PRIMARY SYSTEM - 3 FULLY CONDENSING BOILERS, BUILT IN TEMP PROTECTION WITH 2 SYSTEM PUMPS
PROJECT LOCATION:	
ENGINEER:	D.K.
DATE:	5/23/08
BY:	D.K.
DESCRIPTION:	RELEASED
REV:	A

