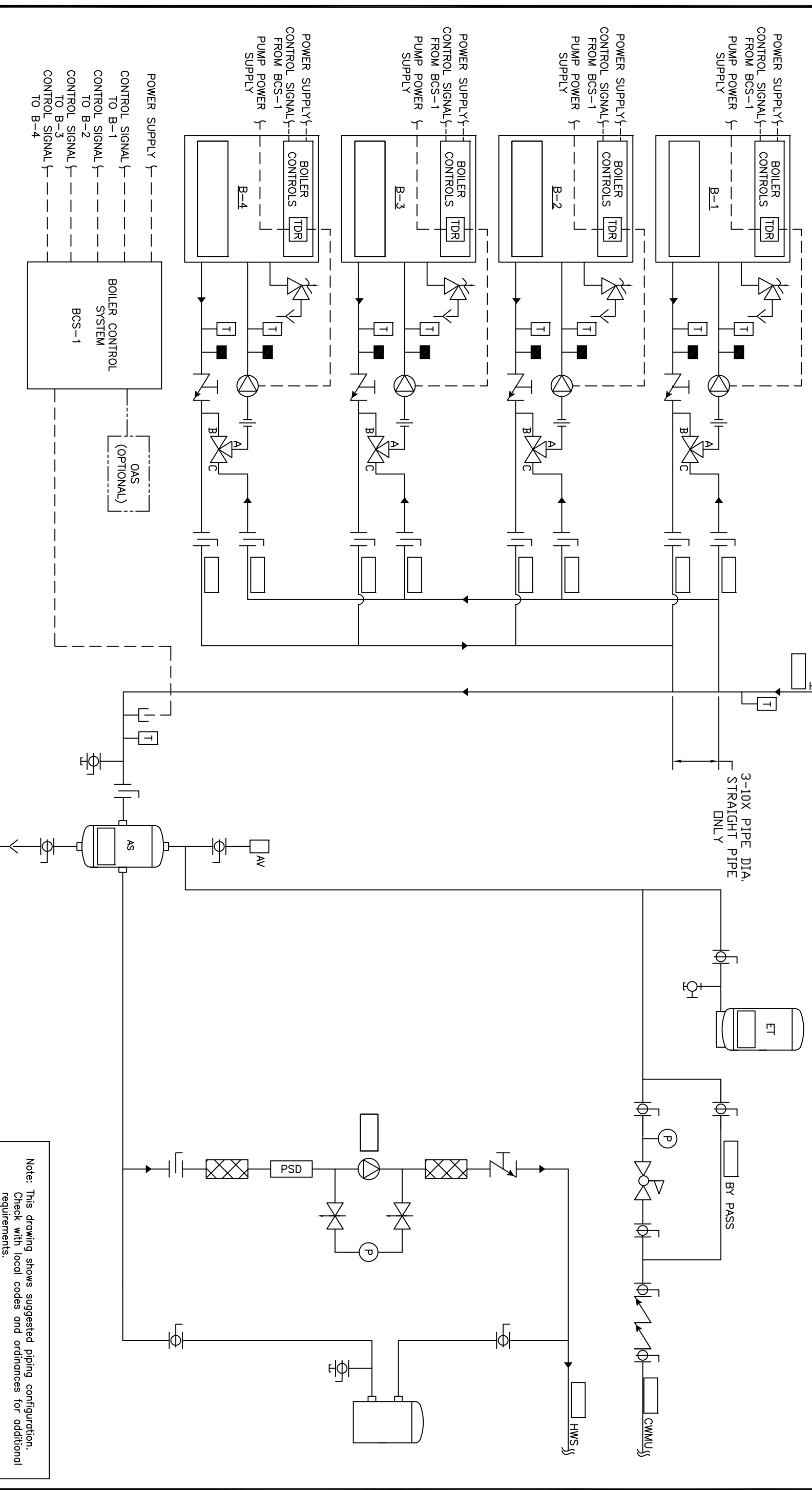


Recc all piping to be sized per ASHRAE F36.



Note: This drawing shows suggested piping configuration. Check with local codes and ordinances for additional requirements.

REV		DESCRIPTION	BY	DATE	THIS DRAWING AND THE INFORMATION DEPICTED THEREIN IS THE PROPERTY OF CHC. REPRODUCTION OR USE AS THE BASIS FOR THE MANUFACTURING, WITHOUT PRIOR WRITTEN PERMISSION OF CHC.																				
A	RELEASED		RSG	05/28/08																					
<table border="1"> <tr> <td>PROJECT NAME:</td> <td>HYDRONIC PRIMARY/SECONDARY - 4 SEALED COMBUSTION BOILERS, INDIVIDUAL FPE VALVE WITH SEPARATE PRIMARY PUMP POWER, AND SYSTEM PUMP</td> </tr> <tr> <td>PROJECT LOCATION:</td> <td></td> </tr> <tr> <td>ENGINEER:</td> <td>H-PS-201-4IF-1</td> </tr> <tr> <td>CUSTOMER:</td> <td></td> </tr> </table>						PROJECT NAME:	HYDRONIC PRIMARY/SECONDARY - 4 SEALED COMBUSTION BOILERS, INDIVIDUAL FPE VALVE WITH SEPARATE PRIMARY PUMP POWER, AND SYSTEM PUMP	PROJECT LOCATION:		ENGINEER:	H-PS-201-4IF-1	CUSTOMER:													
PROJECT NAME:	HYDRONIC PRIMARY/SECONDARY - 4 SEALED COMBUSTION BOILERS, INDIVIDUAL FPE VALVE WITH SEPARATE PRIMARY PUMP POWER, AND SYSTEM PUMP																								
PROJECT LOCATION:																									
ENGINEER:	H-PS-201-4IF-1																								
CUSTOMER:																									
<table border="1"> <tr> <td>DRAWING TITLE:</td> <td>HYDRONIC PRIMARY/SECONDARY - 4 SEALED COMBUSTION BOILERS, INDIVIDUAL FPE VALVE WITH SEPARATE PRIMARY PUMP POWER, AND SYSTEM PUMP</td> </tr> <tr> <td>DRAWING No.:</td> <td>H-PS-201-4IF-1</td> </tr> <tr> <td>DRAWN BY/DATE:</td> <td>BY/05/23/08</td> </tr> <tr> <td>CHECKED BY/DATE:</td> <td>CHECKED/05/23/08</td> </tr> <tr> <td>APPROVED BY/DATE:</td> <td>APPROVED/05/23/08</td> </tr> <tr> <td>SCALE:</td> <td>500'</td> </tr> <tr> <td>SIZE:</td> <td>5"</td> </tr> <tr> <td>SCALE:</td> <td>D</td> </tr> <tr> <td>SCALE:</td> <td>NIS</td> </tr> <tr> <td>REV:</td> <td>A</td> </tr> </table>						DRAWING TITLE:	HYDRONIC PRIMARY/SECONDARY - 4 SEALED COMBUSTION BOILERS, INDIVIDUAL FPE VALVE WITH SEPARATE PRIMARY PUMP POWER, AND SYSTEM PUMP	DRAWING No.:	H-PS-201-4IF-1	DRAWN BY/DATE:	BY/05/23/08	CHECKED BY/DATE:	CHECKED/05/23/08	APPROVED BY/DATE:	APPROVED/05/23/08	SCALE:	500'	SIZE:	5"	SCALE:	D	SCALE:	NIS	REV:	A
DRAWING TITLE:	HYDRONIC PRIMARY/SECONDARY - 4 SEALED COMBUSTION BOILERS, INDIVIDUAL FPE VALVE WITH SEPARATE PRIMARY PUMP POWER, AND SYSTEM PUMP																								
DRAWING No.:	H-PS-201-4IF-1																								
DRAWN BY/DATE:	BY/05/23/08																								
CHECKED BY/DATE:	CHECKED/05/23/08																								
APPROVED BY/DATE:	APPROVED/05/23/08																								
SCALE:	500'																								
SIZE:	5"																								
SCALE:	D																								
SCALE:	NIS																								
REV:	A																								
		<p>CALIFORNIA • RENO 800.486.4858 WASHINGTON • OREGON ALASKA • IDAHO • MONTANA 888.690.0090</p>																							