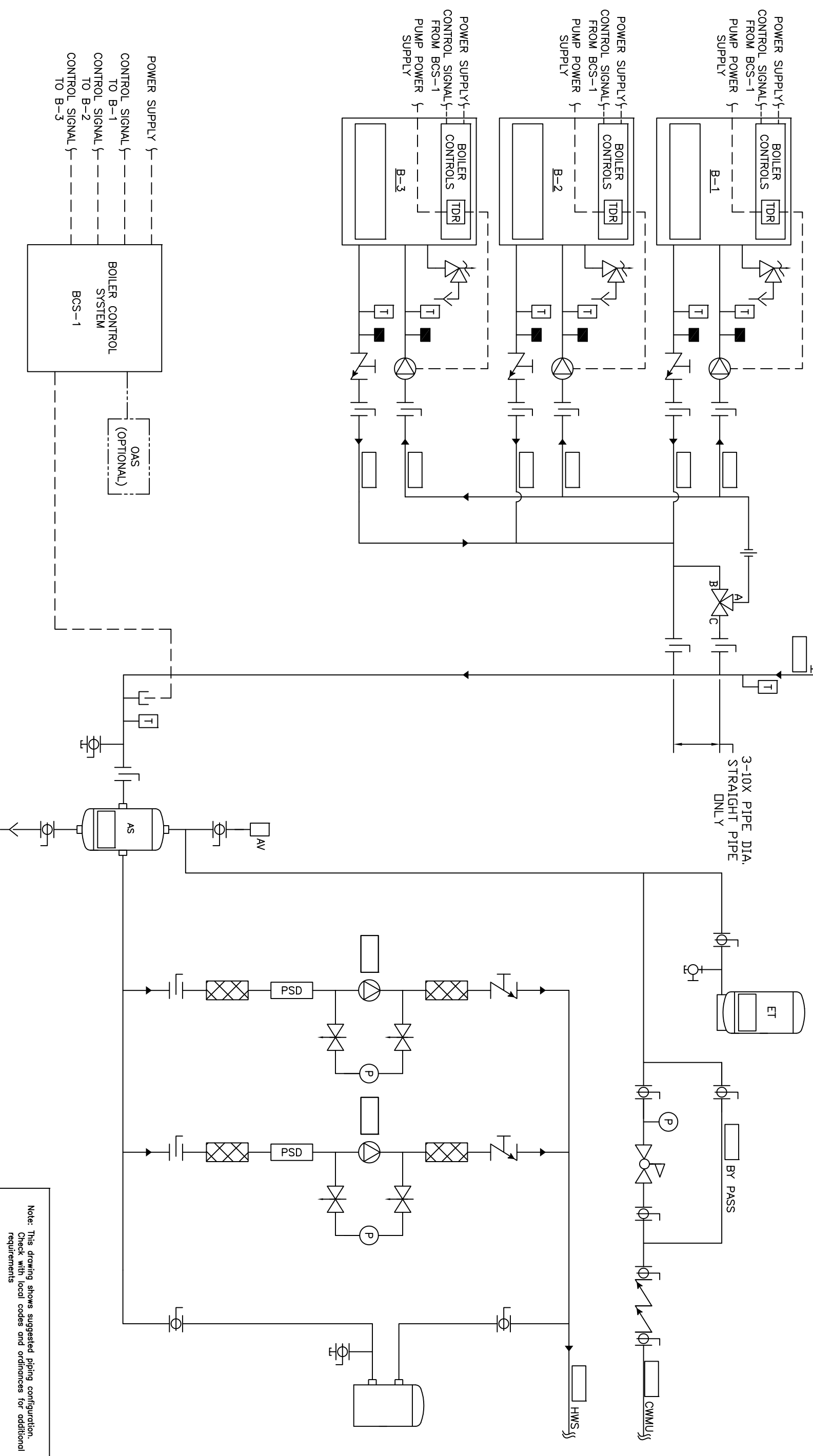


Recc all piping to be sized per ASHRAE F36.



Note: This drawing shows suggested piping configuration. Check with local codes and ordinances for additional requirements

REV		DESCRIPTION		BY	DATE	<p>THIS DRAWING AND THE INFORMATION DEPICTED THEREIN IS THE PROPERTY OF CHC. IT IS TO BE USED ONLY FOR THE PROJECT AND SITE SPECIFICALLY IDENTIFIED HEREIN. NO PARTS OF THIS DRAWING OR THE INFORMATION DEPICTED THEREIN ARE TO BE REPRODUCED OR COPIED, OR USED AS THE BASIS FOR THE MANUFACTURING, WITHOUT PRIOR WRITTEN PERMISSION OF CHC.</p>	PROJECT NAME:	PROJECT LOCATION:	ENGINEER:	CUSTOMER:
A	RELEASED			RSG	05/28/08		<p>DRAWING TITLE: HYDRONIC PRIMARY/SECONDARY - 3 SEALED COMBUSTION BOILERS WITH SEPARATE PRIMARY PUMP POWER, COMMON FPE VALVE, WITH 2 SYSTEM PUMPS</p> <p>DRAWING No. H-PS-201-3CF-2</p> <p>DRAWN BY/DATE: BRYAN/05/23/08</p> <p>CHECKED BY/DATE: [blank]/[blank]</p> <p>SCALE: 500"</p> <p>SIZE: 5"</p> <p>SCALE: A</p>			

CALIFORNIA • RENO
 800.486.4858
 WASHINGTON • OREGON
 ALASKA • IDAHO • MONTANA
 888.690.0090