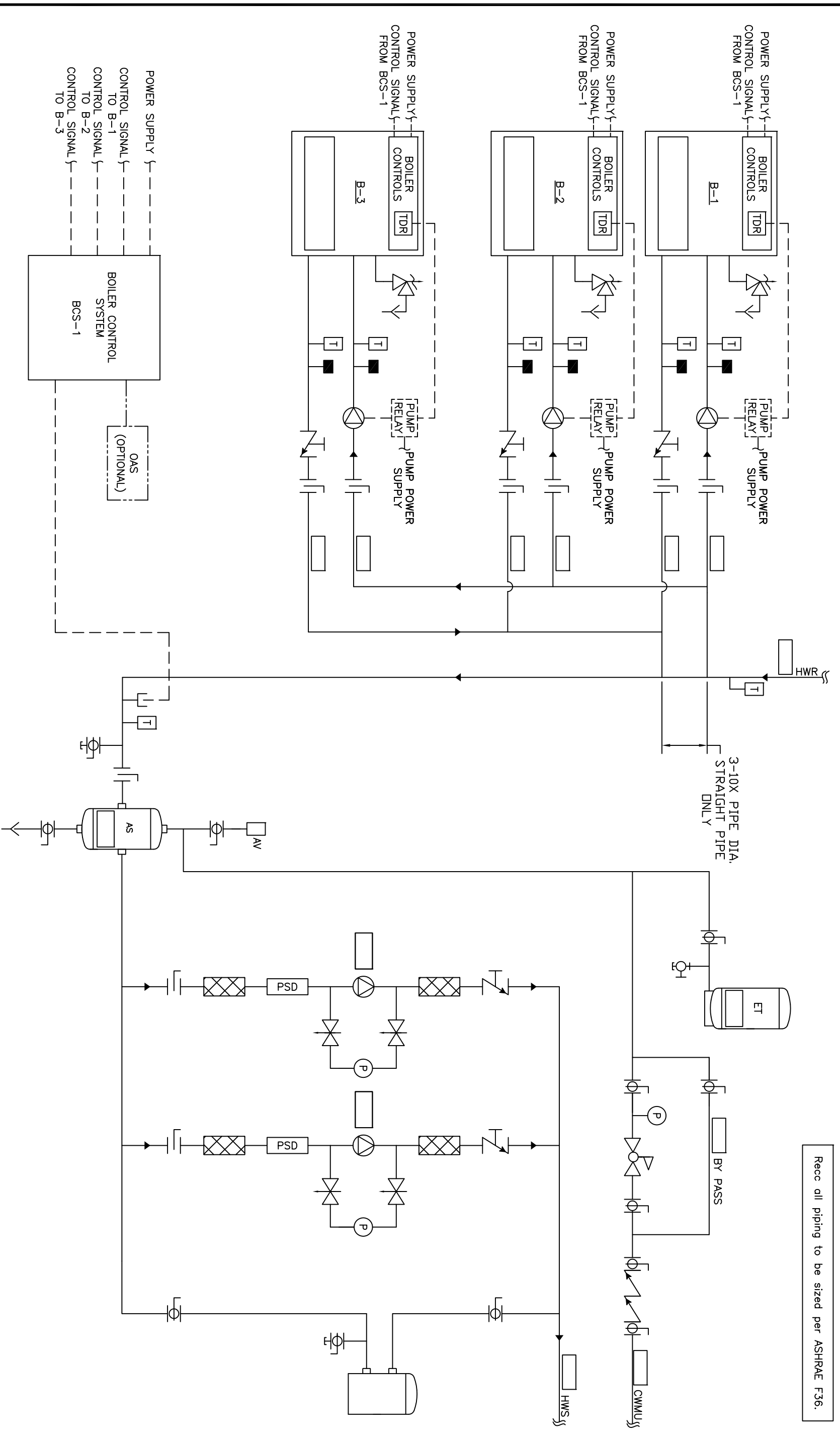
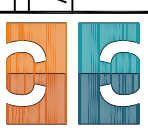


Recall all piping to be sized per ASHRAE F36.



<p>THIS DRAWING AND THE INFORMATION DEPICTED THEREIN IS THE PROPERTY OF CHC, CALIFORNIA HYDRONICS CORP., AND IS TO BE KEPT IN CONFIDENCE AND SHALL NOT BE REPRODUCED OR USED AS THE BASIS FOR THE MANUFACTURING, INSTALLATION OR SALE OF PRODUCT OR SERVICE WITHOUT THE WRITTEN PERMISSION OF CHC.</p>		<p>PROJECT NAME:</p>
<p>PROJECT LOCATION:</p>		<p>DRAWING TITLE:</p>
<p>ENGINEER:</p>		<p>HYDRONIC PRIMARY/SECONDARY - 3 SEALED COMBUSTION BOILERS, NO TEMP PROTECTION, WITH EXTERNAL PRIMARY PUMP STARTER AND 2 SYSTEM PUMPS</p>
<p>DATE:</p>		<p>DRAWING No. H-PS-202-3XX-2</p>
<p>DESCRIPTION:</p>		<p>PROJECT BRIDGE</p>
<p>REV A RELEASED</p>		<p>DATE 05/23/08</p>
<p>BY:</p>		<p>CHECKED APPROVED</p>
<p>DATE:</p>		<p>SCALE</p>
<p>DESCRIPTION:</p>		<p>SIZE D</p>
<p>DATE:</p>		<p>SCALE</p>
<p>DESCRIPTION:</p>		<p>SCALE</p>



**CHC**

CALIFORNIA • RENO  
800.486.4858  
WASHINGTON • OREGON  
ALASKA • IDAHO • MONTANA  
888.690.0090