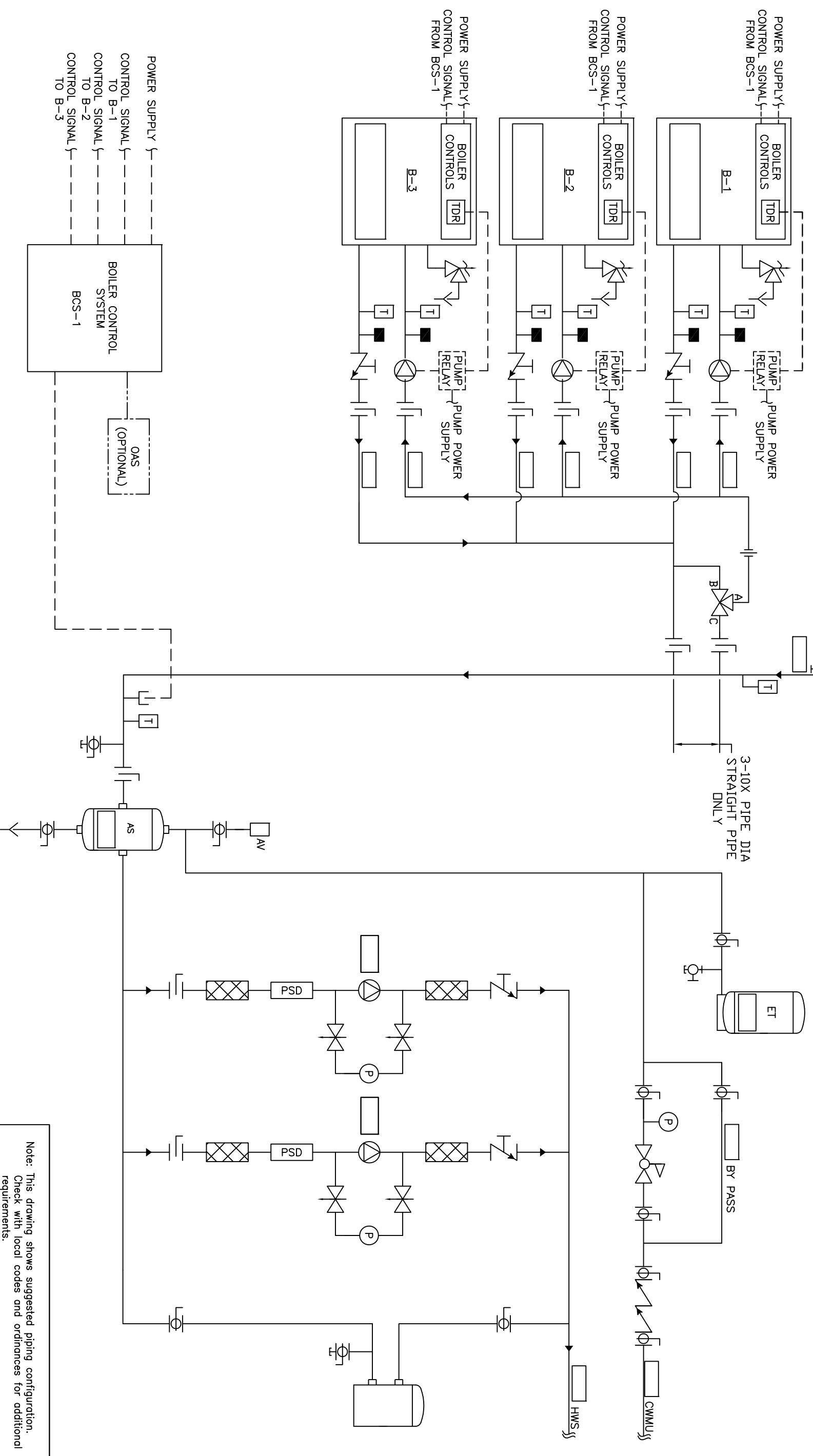


Recc all piping to be sized per ASHRAE F36.



Note: This drawing shows suggested piping configuration. Check with local codes and ordinances for additional requirements.

PROJECT NAME:		THIS DRAWING AND THE INFORMATION DEPICTED THEREIN IS THE PROPERTY OF CHC. A DIVISION OF CHC ENGINEERING, INC. ALL RIGHTS RESERVED. NO PARTS OF THIS DRAWING OR THE INFORMATION DEPICTED THEREIN ARE TO BE REPRODUCED OR COPIED, OR USED AS THE BASIS FOR THE MANUFACTURING, WITHOUT PRIOR WRITTEN PERMISSION OF CHC.	
PROJECT LOCATION:		ENGINEER:	
DRAWING TITLE:		DRAWING No.	
HYDRONIC PRIMARY/SECONDARY - 3 SEALED COMBUSTION BOILERS, COMMON FEE VALVE, EXTERNAL PRIMARY PUMP STARTER WITH 2 SYSTEM PUMPS		H-PS-202-3CF-2	
PROJECT LOCATION:		DRAWN BY/DATE	
ENGINEER:		CHECKED BY/DATE	
CUSTOMER:		APPROVED BY/DATE	
REV		SCALE	
A		500"	
RELEASED		DATE	
RSG 05/28/08		BY	
DESCRIPTION		DATE	

