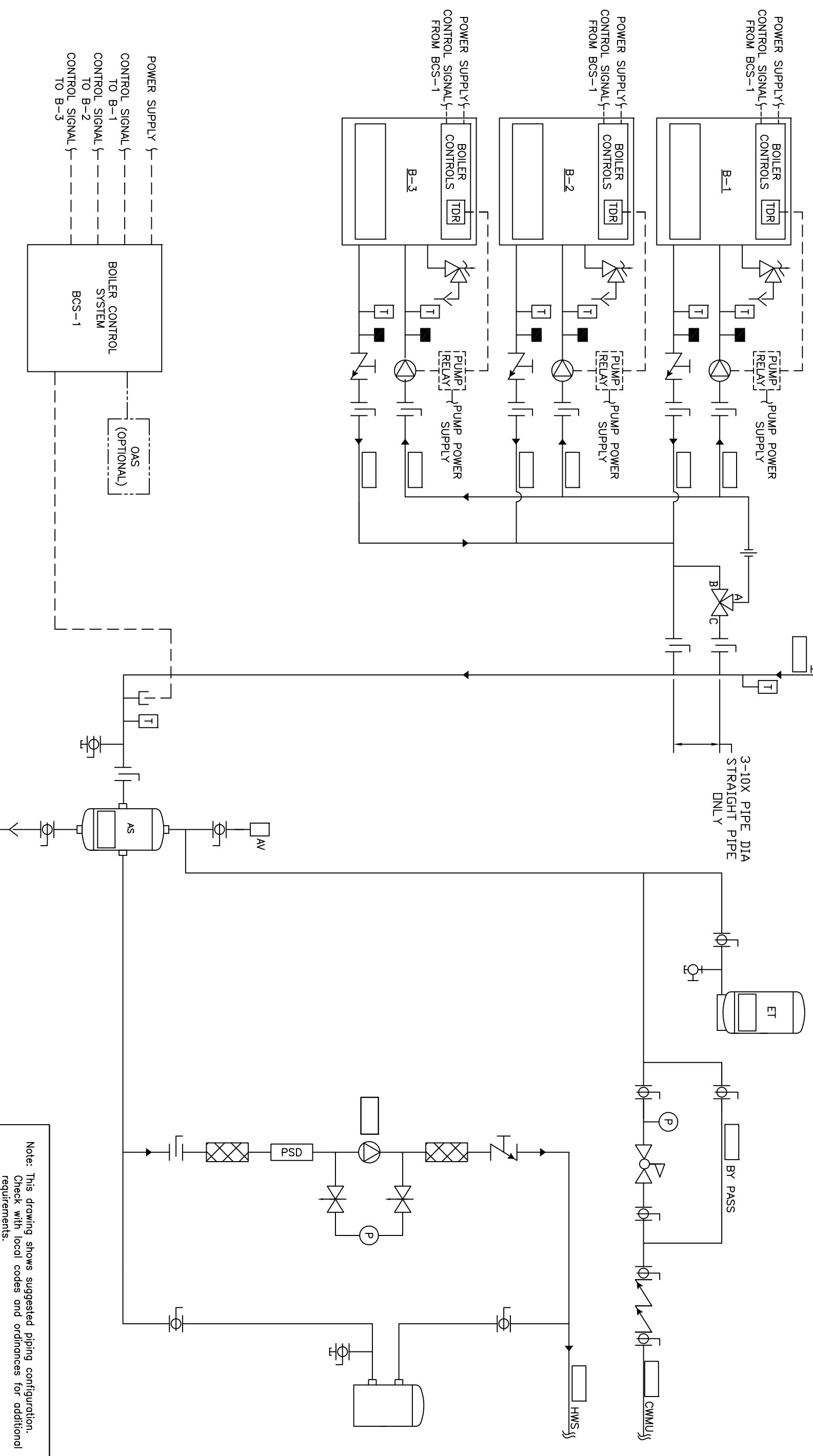


Recc all piping to be sized per ASHRAE F36.



Note: This drawing shows suggested piping configuration. Check with local codes and ordinances for additional requirements.

PROJECT NAME:		THIS DRAWING AND THE INFORMATION DEPICTED THEREIN IS THE PROPERTY OF CHC. NO PART OF THIS DRAWING OR INFORMATION SHALL BE REPRODUCED OR COPIED, OR USED AS THE BASIS FOR THE MANUFACTURING, WITHOUT PRIOR WRITTEN PERMISSION OF CHC.	
PROJECT LOCATION:		ENGINEER:	
DRAWING TITLE:		DRAWING No.	
HYDRONIC PRIMARY/SECONDARY - 3 SEALED COMBUSTION BOILERS, COMMON FPE VALVE, EXTERNAL PRIMARY PUMP STARTER POWER WITH SYSTEM PUMP		H-PS-202-3CF-1	
ENGINEER:		DRAWN BY/DATE	
CUSTOMER:		CHECKED BY/DATE	
REV A		SCALE	
RELEASED		DATE	
DESCRIPTION		BY	
REV		DATE	

CHC
 CALIFORNIA • RENO
 800.486.4858
 WASHINGTON • OREGON
 ALASKA • IDAHO • MONTANA
 888.690.0090