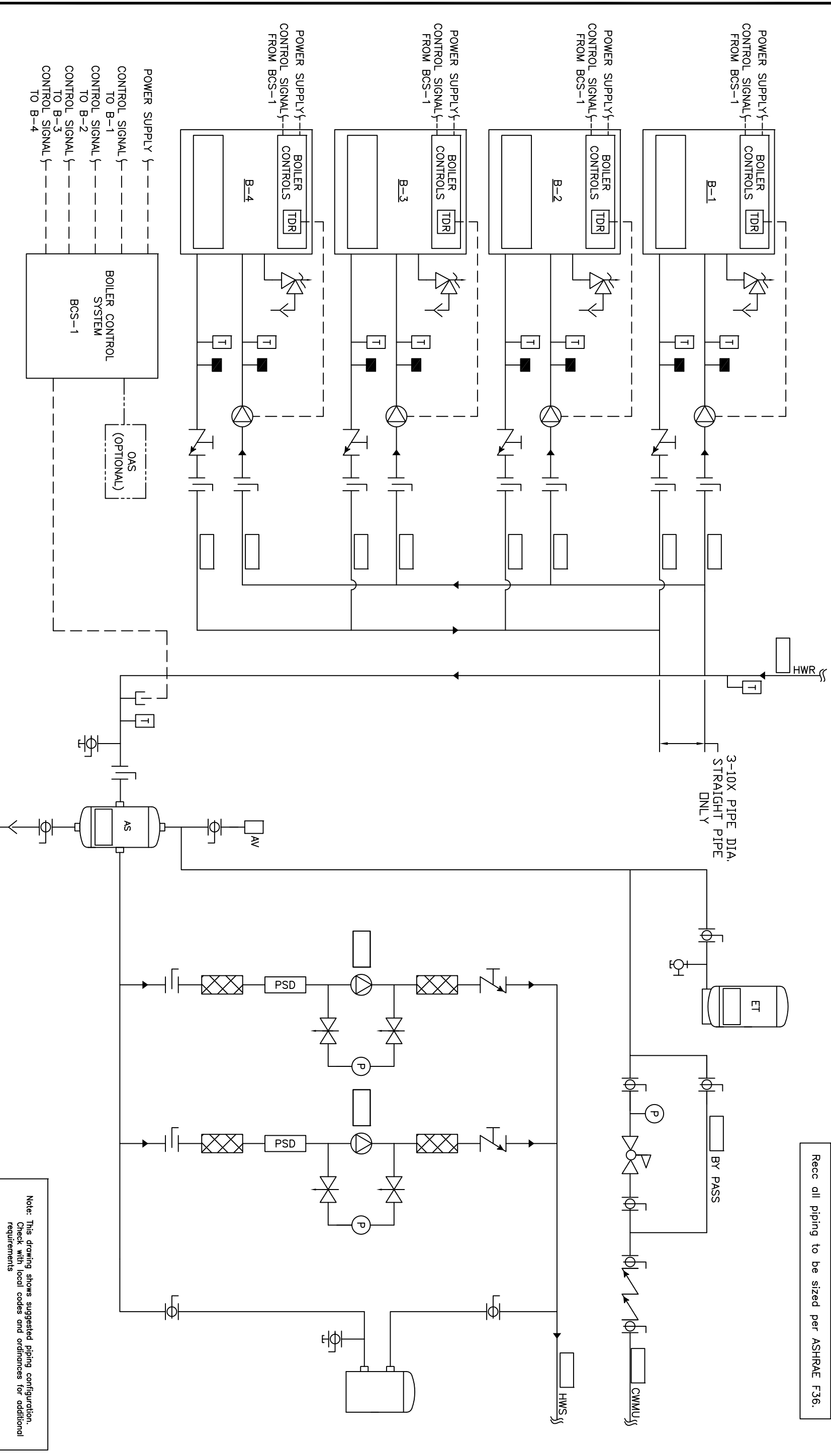


Recc all piping to be sized per ASHRAE F36.



Note: This drawing shows suggested piping configuration. Check with local codes and ordinances for additional requirements.

<p>THIS DRAWING AND THE INFORMATION OF DEPICTED THEREIN IS THE PROPERTY OF CHC, CALIFORNIA HYDRONICS CORP., AND IS TO BE KEPT IN CONFIDENCE AND SHALL NOT BE REPRODUCED OR COPIED, OR USED AS THE BASIS FOR THE MANUFACTURING, INSTALLATION OR SALE OF PRODUCT WITHOUT PRIOR WRITTEN PERMISSION OF CHC.</p>	
PROJECT NAME:	HYDRONIC PRIMARY/SECONDARY - 4 SEALED COMBUSTION BOILERS, NO TEMP PROTECTION, WITH 2 SYSTEM PUMPS
PROJECT LOCATION:	
ENGINEER:	
CUSTOMER:	
DRAWING No.	H-PS-200-4XX-2
DESIGNED BY	RS
CHECKED BY	RS
DATE	05/23/08
SCALE	AS SHOWN
REV	A
DESCRIPTION	RELEASED
BY	RS
DATE	05/28/08

