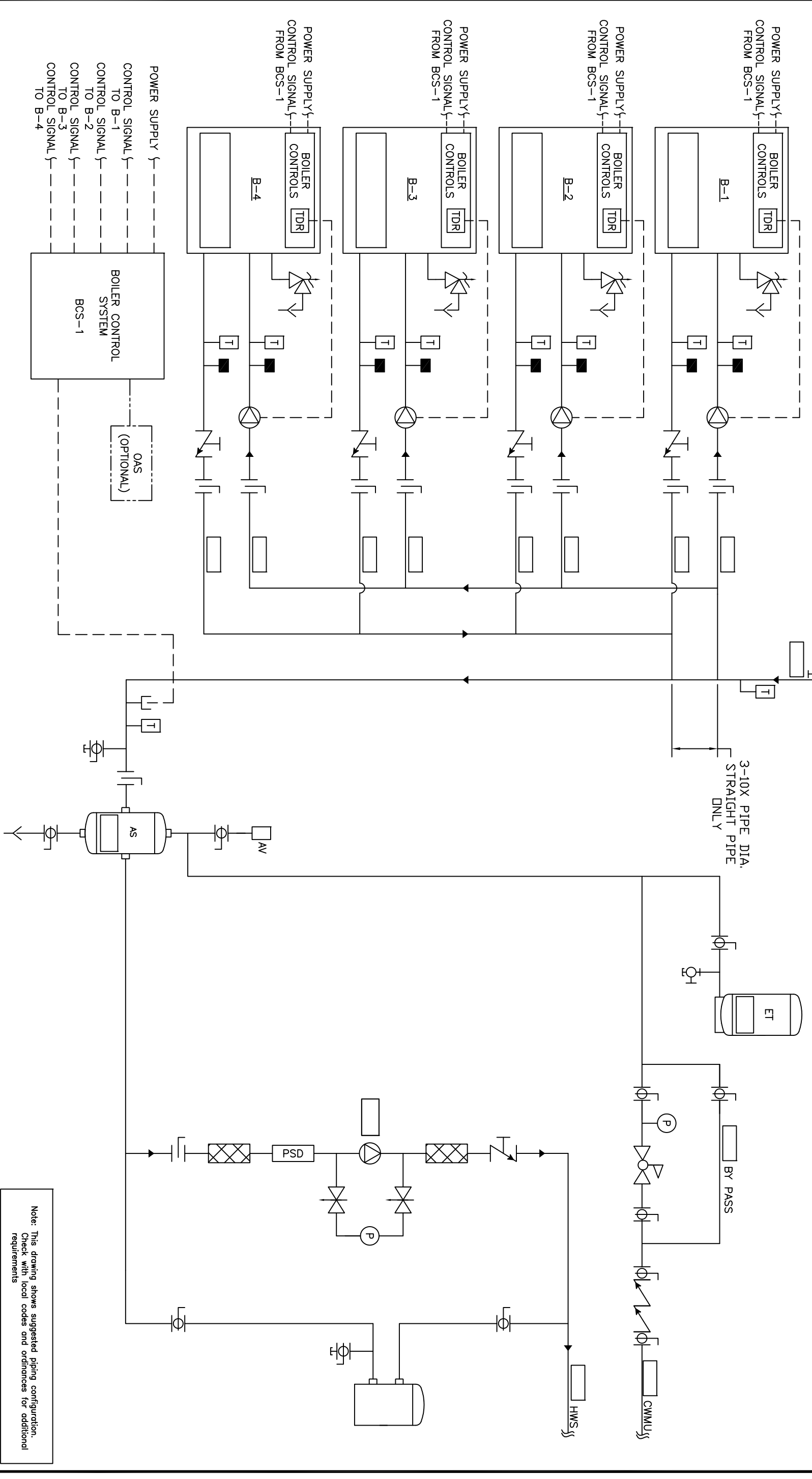


Recc all piping to be sized per ASHRAE F36.



Note: This drawing shows suggested piping configuration. Check with local codes and ordinances for additional requirements

|     |          |             |  |    |              |   |   |  |                                    |                |                     |          |
|-----|----------|-------------|--|----|--------------|---|---|--|------------------------------------|----------------|---------------------|----------|
| REV |          | DESCRIPTION |  | BY | DATE         | THIS DRAWING AND THE INFORMATION PERMITTED HEREIN IS THE PROPERTY OF CHC. CALIFORNIA HYDRAONICS CORP. COPIES ARE ISSUED IN STRICT CONFIDENCE AND SHALL NOT BE REPRODUCED OR COPIED, OR USED AS INSTALLATION OR SALE OF PRODUCT WITHOUT PRIOR WRITTEN PERMISSION OF CHC. | PROJECT NAME:                               | HYDRONIC PRIMARY/SECONDARY - 4 SEALED COMBUSTION BOILERS, NO TEMP PROTECTION, WITH SYSTEM PUMP |                                    | DRAWING TITLE: | H-PS-200-4XX-1      |          |
| A   | RELEASED |             |  |    | RSG 05/28/08 |   | PROJECT LOCATION:<br>ENGINEER:<br>CUSTOMER: | DRAWN BY/DATE<br>DDK 05/23/08  | CHECKED/DATE<br>APPROVED/DEC. 3007 | SIZE<br>5"     | SCALE<br>1" = 1'-0" | REV<br>A |

