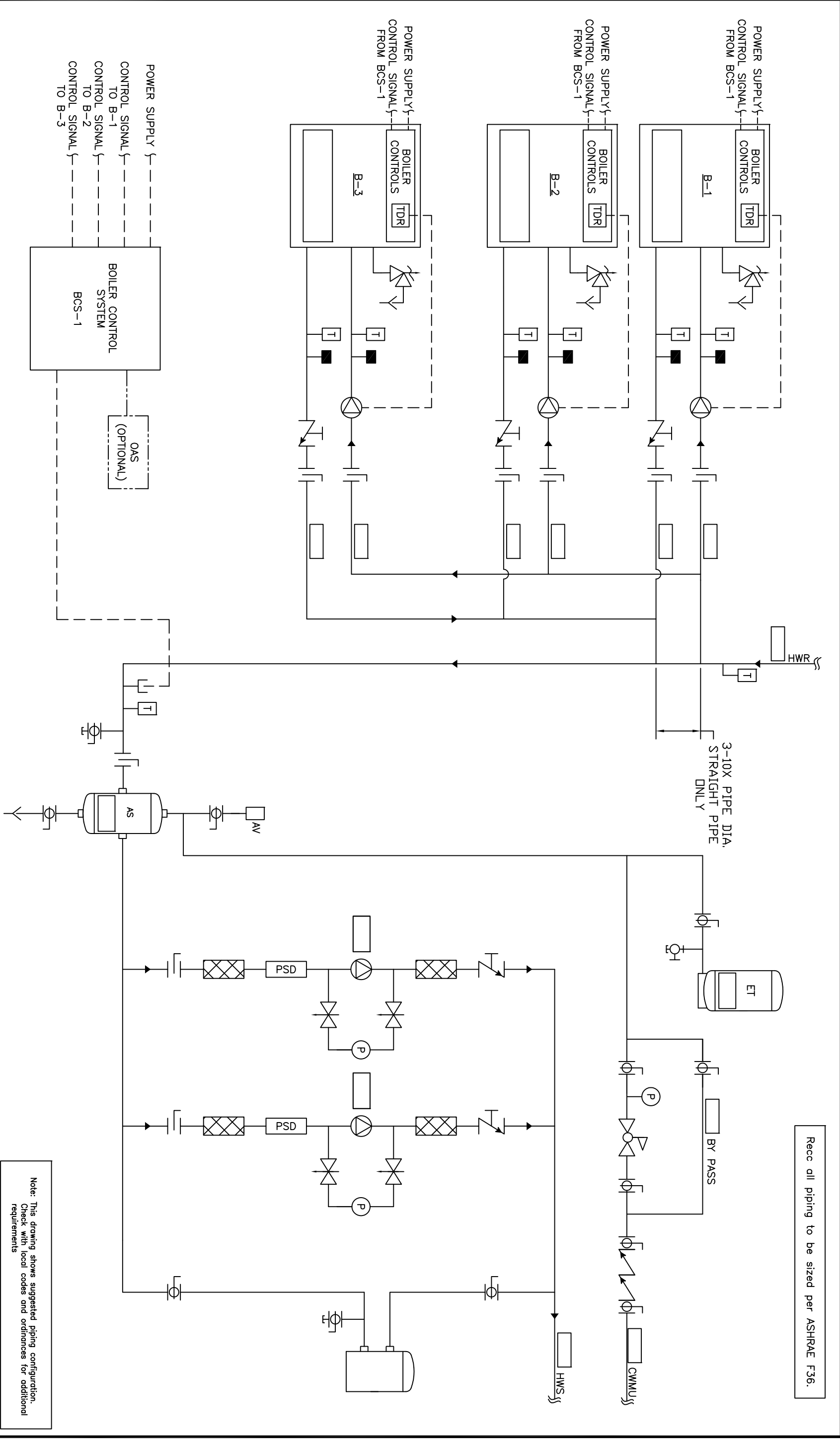


Recc all piping to be sized per ASHRAE F36.



Note: This drawing shows suggested piping configuration. Check with local codes and ordinances for additional requirements

REV		DESCRIPTION		BY	DATE	THIS DRAWING AND THE INFORMATION PERMITTED HEREIN IS THE PROPERTY OF CHC. CALIFORNIA HYDRONICS CORP. COPIES ARE ISSUED IN STRICT CONFIDENCE AND SHALL NOT BE REPRODUCED OR COPIED, OR USED AS INSTALLATION OR SALE OF PRODUCT WITHOUT PRIOR WRITTEN PERMISSION OF CHC.	PROJECT NAME:	HYDRONIC PRIMARY/SECONDARY - 3 SEALED COMBUSTION BOILERS, NO TEMP PROTECTION, WITH 2 SYSTEM PUMPS		DRAWING TITLE:	H-PS-200-3XX-2	
A	RELEASED				RSG 05/28/08		ENGINEER:	PROJECT LOCATION:	DRAWN BY/DATE:	CHECKED/DATE:	APPROVED/DATE:	SCALE:

