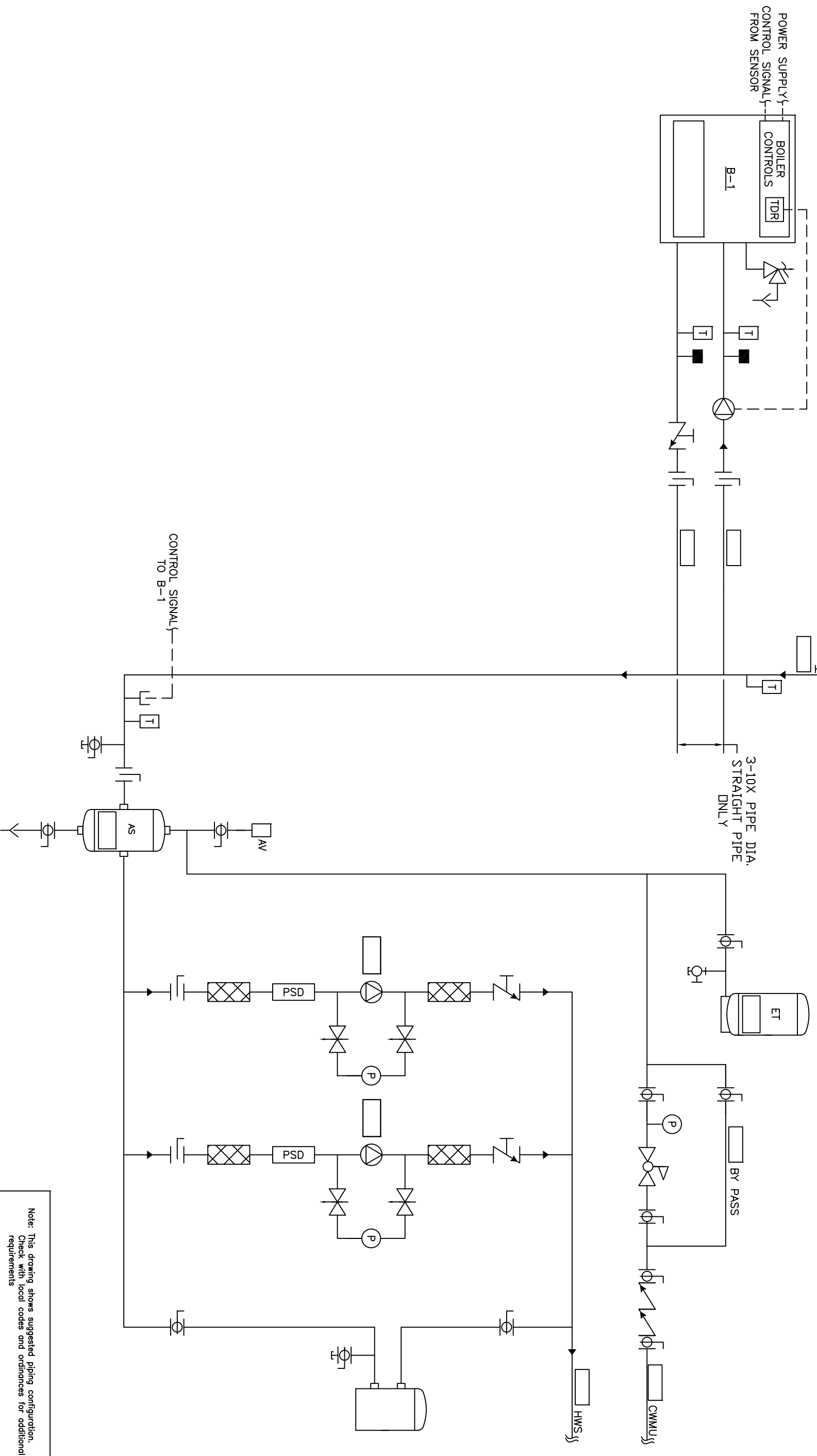


Recc all piping to be sized per ASHRAE F36.



Note: This drawing shows suggested piping configuration. Check with local codes and ordinances for additional requirements

PROJECT NAME:		DRAWING TITLE:	
PROJECT LOCATION:		HYDRONIC PRIMARY/SECONDARY - SEALED COMBUSTION BOILER, NO TEMP PROTECTION, WITH 2 SYSTEM PUMPS	
ENGINEER:		DRAWING No.:	
CUSTOMER:		H-PS-200-1XX-2	
BY:		DRAWN BY/DWG. DATE:	
DATE:		CHECKED/DATE:	
DESCRIPTION:		TOLERANCES UNLESS OTHERWISE SPECIFIED	
REV:		SCALE:	
A		A	
RELEASED		REV	
RSG 05/28/08		A	
DESCRIPTION		BY	
BY		DATE	
RSG 05/28/08		05/23/08	
DESCRIPTION		SCALE	
BY		SCALE	
RSG 05/28/08		5"	
DESCRIPTION		SCALE	
BY		SCALE	
RSG 05/28/08		5"	

CALIFORNIA • RENO
800.486.4858
WASHINGTON • OREGON
ALASKA • IDAHO • MONTANA
888.690.0090

THIS DRAWING AND THE INFORMATION DERIVED THEREIN IS THE PROPERTY OF CHC, CALIFORNIA HYDRONICS CORP. COPIES ARE ISSUED IN STRICT CONFIDENCE AND ARE NOT TO BE REPRODUCED OR COPIED OR USED AS THE BASIS FOR THE MANUFACTURING, INSTALLATION OR SALE OF PRODUCT WITHOUT PRIOR WRITTEN PERMISSION OF CHC.