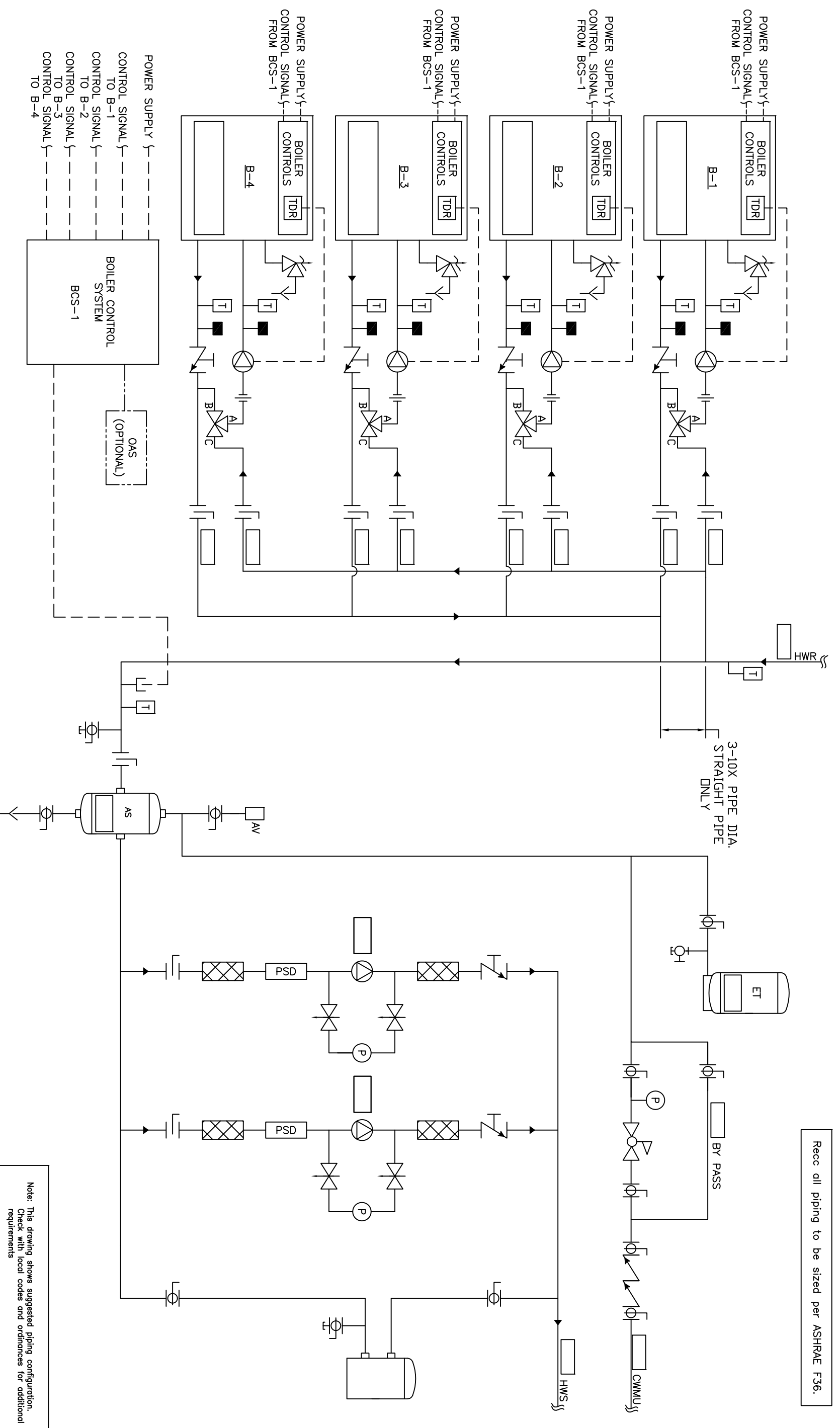


Recc all piping to be sized per ASHRAE F36.



Note: This drawing shows suggested piping configuration. Check with local codes and ordinances for additional requirements

<p>THIS DRAWING AND THE INFORMATION DEPICTED THEREIN IS THE PROPERTY OF CHC. A DIVISION OF CHC ENGINEERING SYSTEMS, INC. COPIES ARE ISSUED IN STRICT CONFIDENCE AND SHALL NOT BE REPRODUCED OR COPIED, OR USED AS THE BASIS FOR THE MANUFACTURING, WITHOUT PRIOR WRITTEN PERMISSION OF CHC.</p>		<p>PROJECT NAME: HYDRONIC PRIMARY/SECONDARY - 4 SEALED COMBUSTION BOILERS, INDIVIDUAL FPE VALVE, WITH 2 SYSTEM PUMPS</p>
<p>PROJECT LOCATION: H-PS-200-4IF-2</p>	<p>ENGINEER: DRAWN BY/DATE 05/23/08</p>	<p>DRAWING TITLE: HYDRONIC PRIMARY/SECONDARY - 4 SEALED COMBUSTION BOILERS, INDIVIDUAL FPE VALVE, WITH 2 SYSTEM PUMPS</p>
<p>REV A RELEASED</p>	<p>DATE RSG 05/28/08</p>	<p>SCALE AS SHOWN</p>
<p>DESCRIPTION</p>	<p>BY</p>	<p>CUSTOMER</p>

CALIFORNIA • RENO
 800.486.4858
 WASHINGTON • OREGON
 ALASKA • IDAHO • MONTANA
 888.690.0090