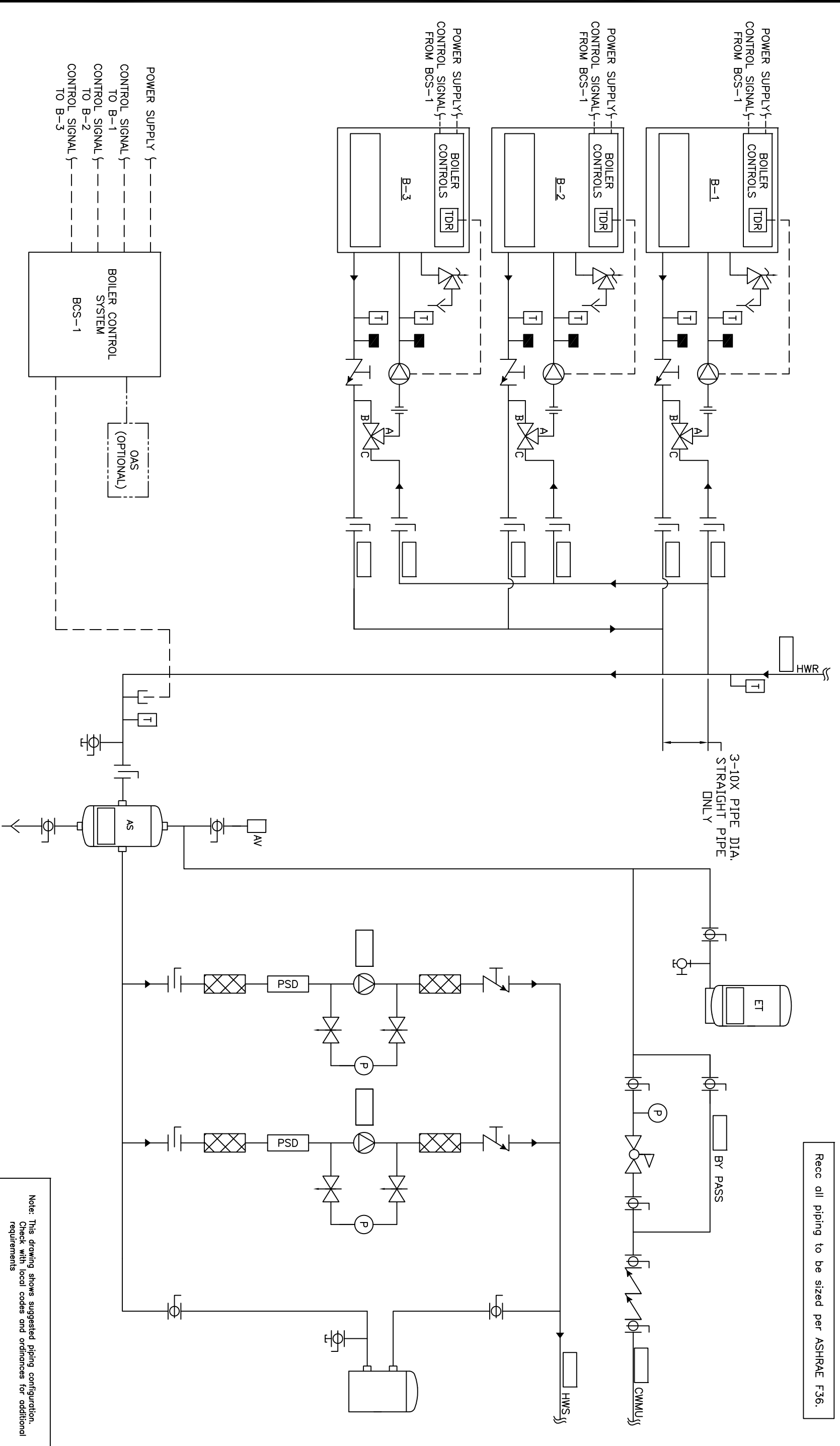


Rec all piping to be sized per ASHRAE F36.



POWER SUPPLY --- BOILER CONTROL SIGNAL FROM BCS-1

POWER SUPPLY --- BOILER CONTROL SIGNAL FROM BCS-1

POWER SUPPLY --- BOILER CONTROL SIGNAL FROM BCS-1

POWER SUPPLY --- BOILER CONTROL SIGNAL TO BCS-1

POWER SUPPLY --- BOILER CONTROL SIGNAL TO BCS-1

POWER SUPPLY --- BOILER CONTROL SIGNAL TO BCS-1

OAS (OPTIONAL)

AS

AV

PSD

PSD

P

P

P

BY PASS

CWMU

HWS

3-10X PIPE DIA. STRAIGHT PIPE ONLY

ET

HWR

Note: This drawing shows suggested piping configuration. Check with local codes and ordinances for additional requirements.

PROJECT NAME:		THIS DRAWING AND THE INFORMATION CONTAINED HEREIN ARE THE PROPERTY OF CHC, CALIFORNIA HYDRONICS CORP. NO PART OF THIS DRAWING OR INFORMATION SHALL BE REPRODUCED OR TRANSMITTED IN ANY FORM OR BY ANY MEANS, WITHOUT PRIOR WRITTEN PERMISSION OF CHC.	
PROJECT LOCATION:		HYDRONIC PRIMARY/SECONDARY - 3 SEALED COMBUSTION BOILERS, INDIVIDUAL FPE VALVE, WITH 2 SYSTEM PUMPS	
ENGINEER:		DRAWING No. H-PS-200-31F-2	
CUSTOMER:		TOLERANCES UNLESS OTHERWISE SPECIFIED: 500" 5" 0" SCALE: NTS	
REV	DESCRIPTION	BY	DATE
A	RELEASED	RSG	05/28/08

