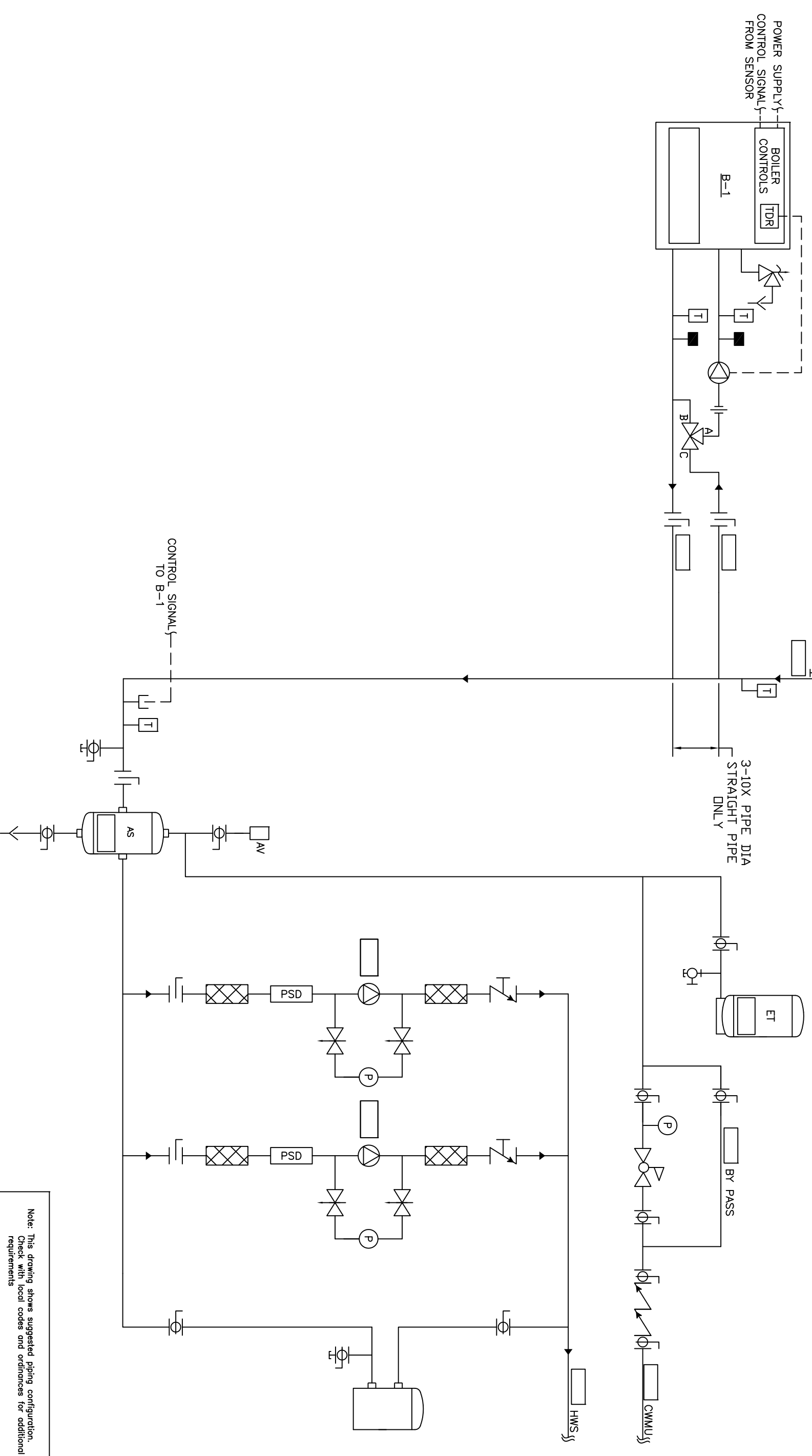


Rec all piping to be sized per ASHRAE F36.



CONTROL SIGNAL TO B-1

PROJECT NAME: THIS DRAWING AND THE INFORMATION DEPICTED THEREIN IS THE PROPERTY OF CHC. IT IS TO BE USED FOR THE PROJECT ONLY AND IS NOT TO BE REPRODUCED OR COPIED IN ANY MANNER WITHOUT PRIOR WRITTEN PERMISSION OF CHC.

PROJECT LOCATION: HYDRONIC PRIMARY/SECONDARY - SEALED COMBUSTION BOILER, INDIVIDUAL FPE VALVE, WITH 2 SYSTEM PUMPS

ENGINEER: H-PS-200-11F-2
 DRAWING NO. H-PS-200-11F-2
 PROJECT NO. 05/23/08
 CHECKED BY: [Signature]
 APPROVED BY: [Signature]
 SCALE: 1"=10'-0"

REV	DESCRIPTION	BY	DATE
A	RELEASED	RSG	05/28/08

Note: This drawing shows suggested piping configuration. Check with local codes and ordinances for additional requirements

CALIFORNIA - RENO
 800.486.4858
 WASHINGTON - OREGON
 ALASKA - IDAHO - MONTANA
 888.690.0090