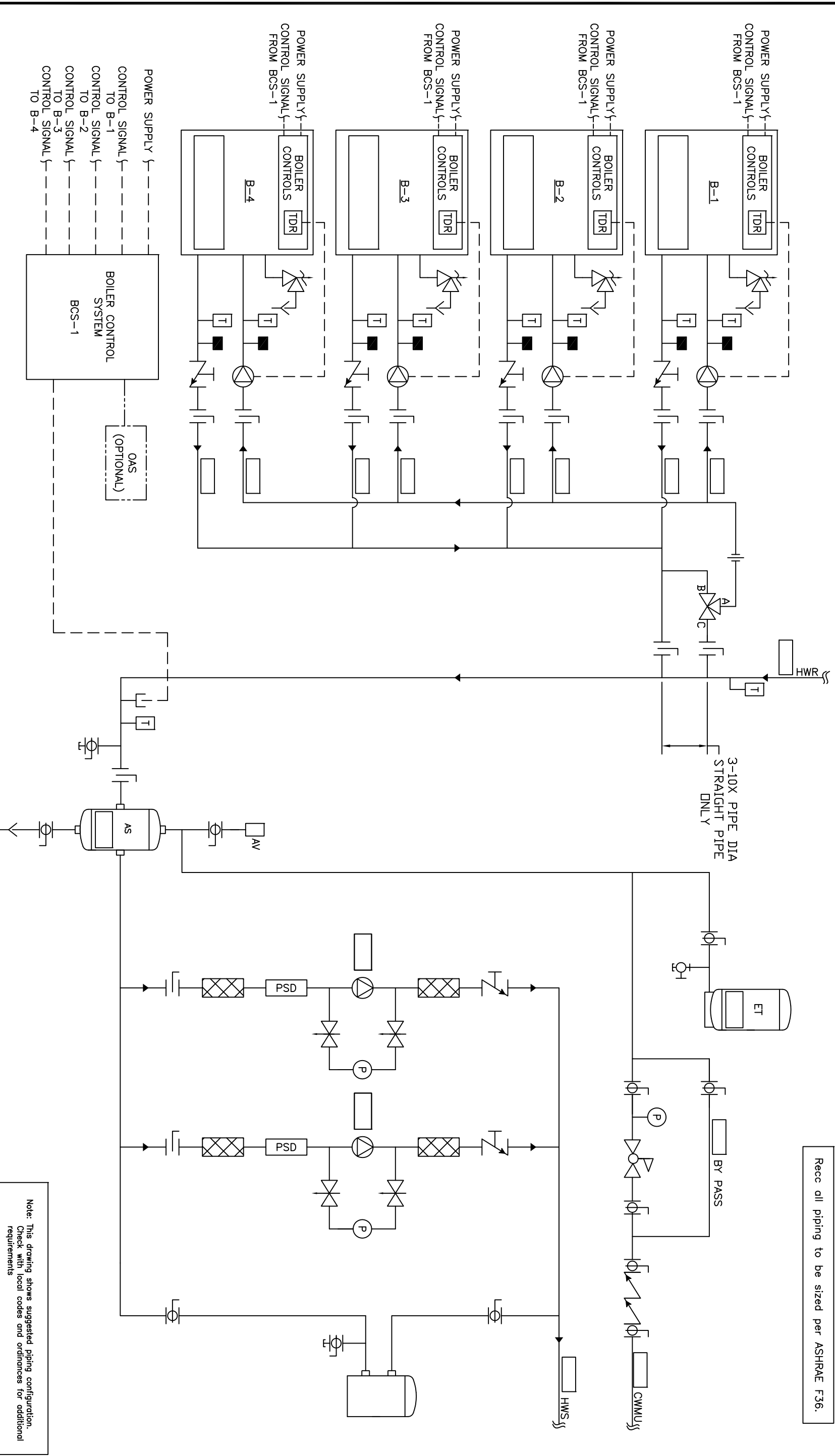


Rec'd all piping to be sized per ASHRAE F36.



Note: This drawing shows suggested piping configuration. Check with local codes and ordinances for additional requirements.

<p>THIS DRAWING AND THE INFORMATION DEPICTED THEREIN IS THE PROPERTY OF CHC, CALIFORNIA HYDRONICS CORP. CONFIDENTIAL AND SHALL NOT BE REPRODUCED OR USED AS THE BASIS FOR THE MANUFACTURING, INSTALLATION OR SALE OF PRODUCT WITHOUT PRIOR WRITTEN PERMISSION OF CHC.</p>	
PROJECT NAME:	HYDRONIC PRIMARY/SECONDARY - 4 SEALED COMBUSTION BOILERS, COMMON FPE VALVE, WITH 2 SYSTEM PUMPS
PROJECT LOCATION:	
ENGINEER:	RSG 05/28/08
CUSTOMER:	
BY:	
DATE:	
REV	DESCRIPTION
A	RELEASED

**CHC**  
 CALIFORNIA • RENO  
 800.486.4858  
 WASHINGTON • OREGON  
 ALASKA • IDAHO • MONTANA  
 888.690.0090