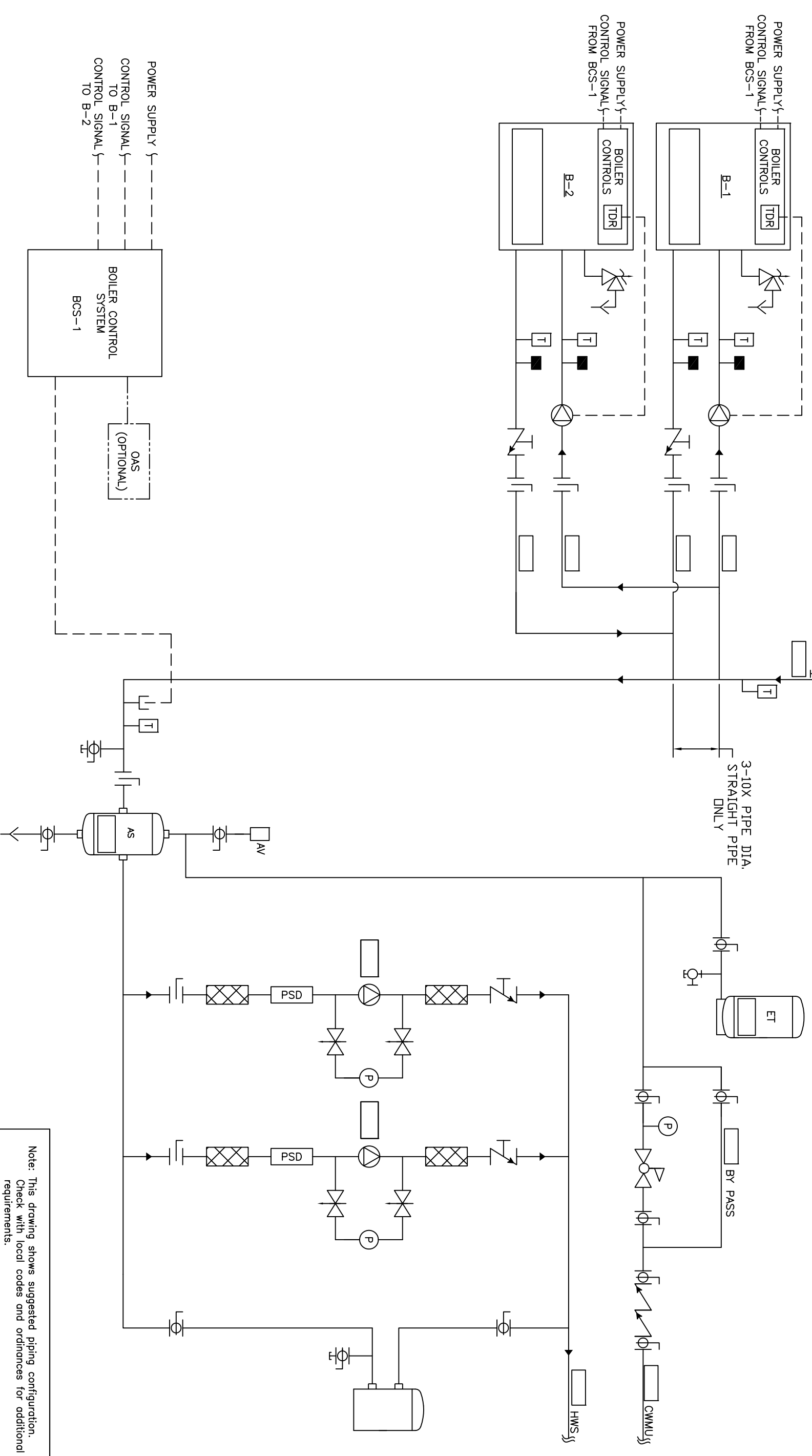


Recc all piping to be sized per ASHRAE F36



Note: This drawing shows suggested piping configuration. Check with local codes and ordinances for additional requirements.

PROJECT NAME:		DRAWING TITLE:	
PROJECT LOCATION:		HYDRONIC PRIMARY/SECONDARY - 2 ATMOSPHERIC BOILERS, NO TEMP PROTECTION, WITH 2 SYSTEM PUMPS	
ENGINEER:		DRAWING No. H-PS-100-2XX-2	
BY:		DRAWN BY/DWG. DATE: D.K. 05/23/08	
DATE:		CHECKED/DATE: J.S. 05/23/08	
DESCRIPTION:		TOLERANCES UNLESS OTHERWISE SPECIFIED	
REV A		SCALE: AS SHOWN	
RELEASED		REV A	
RSG 05/28/08		BY DATE	
DESCRIPTION		BY DATE	

CALIFORNIA • RENO
 800.486.4858
 WASHINGTON • OREGON
 ALASKA • IDAHO • MONTANA
 888.690.0090

THIS DRAWING AND THE INFORMATION DERIVED THEREIN IS THE PROPERTY OF CHC, CALIFORNIA HYDRONICS CORP. COPIES ARE ISSUED IN STRICT CONFIDENCE AND ARE NOT TO BE REPRODUCED OR COPIED OR USED AS THE BASIS FOR THE MANUFACTURING, INSTALLATION OR SALE OF PRODUCT WITHOUT PRIOR WRITTEN PERMISSION OF CHC.