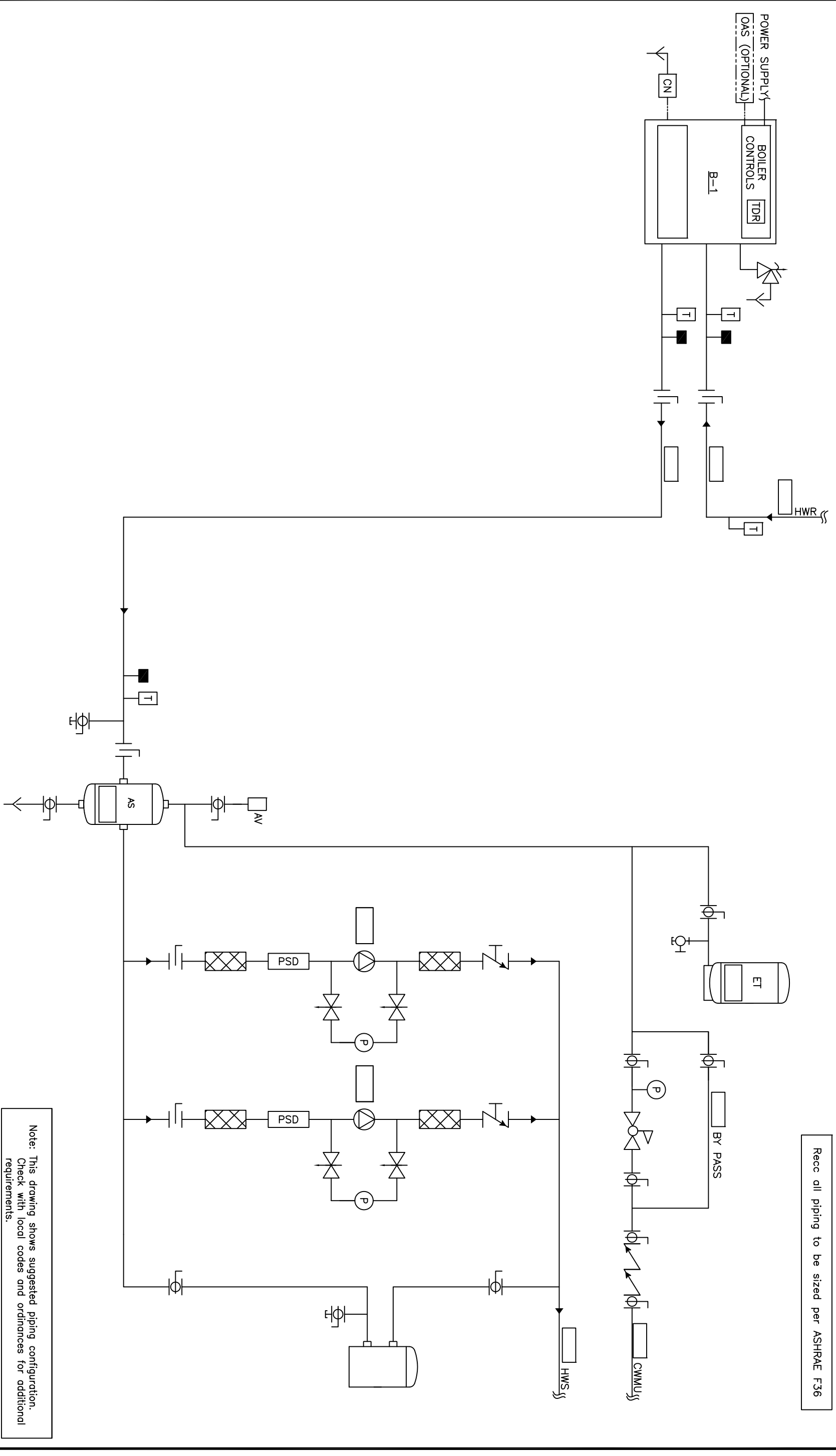


Recall all piping to be sized per ASHRAE F36



Note: This drawing shows suggested piping configuration. Check with local codes and ordinances for additional requirements.

PROJECT NAME:		THIS DRAWING AND THE INFORMATION CONTAINED HEREIN IS THE PROPERTY OF CHC. CALIFORNIA HYDRONICS CORP. COPIES ARE ISSUED IN STRICT CONFIDENCE AND SHALL NOT BE REPRODUCED OR COPIED, OR USED AS INSTALLATION OR SALE OF PRODUCT WITHOUT PRIOR WRITTEN PERMISSION OF CHC.	
PROJECT LOCATION:		DRAWING TITLE:	
ENGINEER:		HYDRONIC CONSTANT VOLUME PRIMARY - CONDENSING BOILER, BUILT TEMP PROTECTION WITH 2 SYSTEM PUMPS	
CUSTOMER:		DRAWING No. H-CV-400-1BI-2	
REV A		DRAWN BY/DATE	
REV A		CHECKED BY/DATE	
REV A		TOLERANCES UNLESS OTHERWISE SPECIFIED	
REV A		ANGLE 5°	
REV A		SIZE D	
REV A		SCALE NTS	
REV A		CALIFORNIA • RENO	
REV A		800.486.4858	
REV A		WASHINGTON • OREGON	
REV A		ALASKA • IDAHO • MONTANA	
REV A		888.690.0090	
REV A		DESCRIPTION	
REV A		D.K	
REV A		5/23/08	
REV A		DATE	
REV A		BY	
REV A		RELEASED	
REV A		DESCRIPTION	