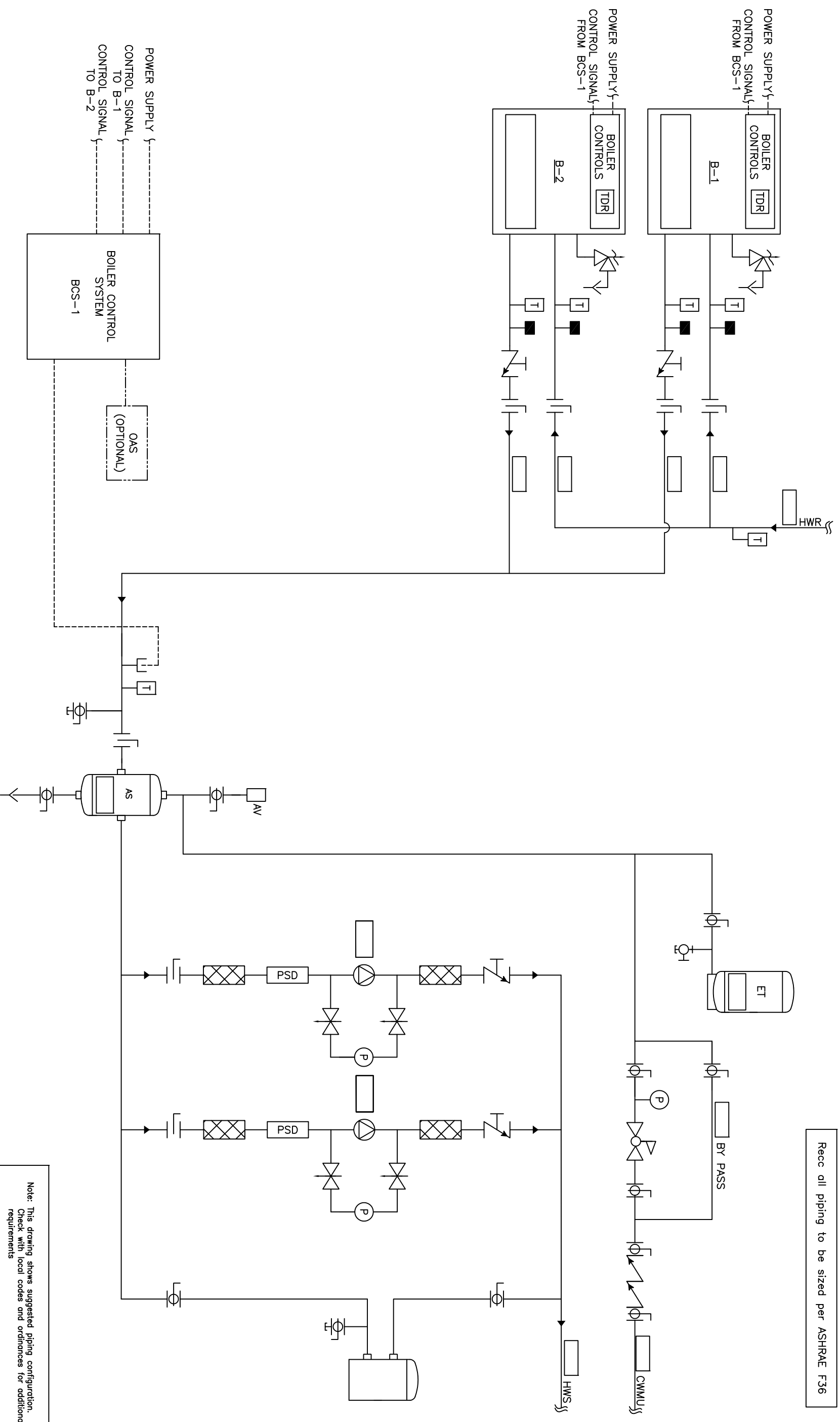


Recc all piping to be sized per ASHRAE F36



Note: This drawing shows suggested piping configuration. Check with local codes and ordinances for additional requirements

REV		DESCRIPTION		BY	DATE	THIS DRAWING AND THE INFORMATION DEPICTED THEREIN IS THE PROPERTY OF CHC. NO PART OF THIS DRAWING OR INFORMATION HEREON SHALL BE REPRODUCED OR COPIED, OR USED AS THE BASIS FOR THE MANUFACTURING, WITHOUT PRIOR WRITTEN PERMISSION OF CHC.	PROJECT NAME:	HYDRONIC CONSTANT VOLUME - 2 SEALED COMBUSTION BOILERS, NO TEMP PROTECTION WITH 2 SYSTEM PUMPS	DRAWING TITLE:	H-CV-200-2XX-2 DRAWN BY: D.K. CHECKED BY: [] APPROVED BY: [] DATE: 05/23/08 SCALE: 5/8" = 1'-0" SIZE: 11" x 17"
A		RELEASED		D.K.	5/23/08		PROJECT LOCATION:		DRAWING No.:	
							ENGINEER:		REV:	
							CUSTOMER:		A	

CALIFORNIA • RENO
 800.486.4858
 WASHINGTON • OREGON
 ALASKA • IDAHO • MONTANA
 888.690.0090