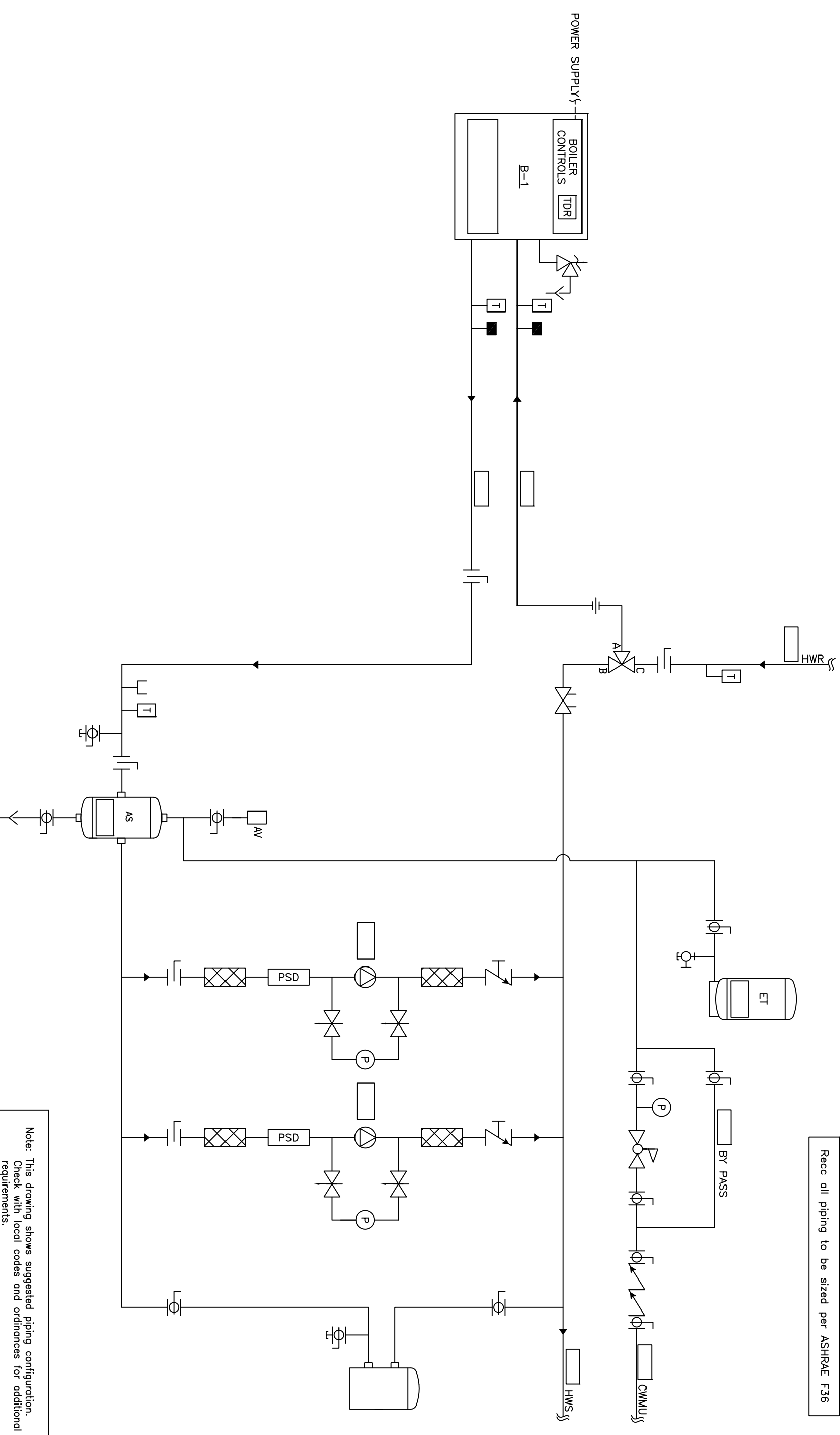


Recc all piping to be sized per ASHRAE F36




Note: This drawing shows suggested piping configuration. Check with local codes and ordinances for additional requirements.

REV	DESCRIPTION	DATE	BY
A	RELEASED	RSG 05/28/08	

PROJECT NAME: HYDRONIC CONSTANT VOLUME - ATMOSPHERIC BOILER, INDIVIDUAL FPE VALVE, WITH 2 SYSTEM PUMPS
 PROJECT LOCATION:
 ENGINEER:
 CUSTOMER:

DRAWING TITLE: HYDRONIC CONSTANT VOLUME - ATMOSPHERIC BOILER, INDIVIDUAL FPE VALVE, WITH 2 SYSTEM PUMPS
 DRAWING No. H-CV-100-11F-2
 DRAWN BY/DWG: 05/23/08
 CHECKED: 05/23/08
 TOLERANCES UNLESS OTHERWISE SPECIFIED: 500"
 ANGLE: 5"
 SIZE: 0
 SCALE: NTS
 REV: A



CALIFORNIA • RENO 800.486.4858
 WASHINGTON • OREGON
 ALASKA • IDAHO • MONTANA 888.690.0090