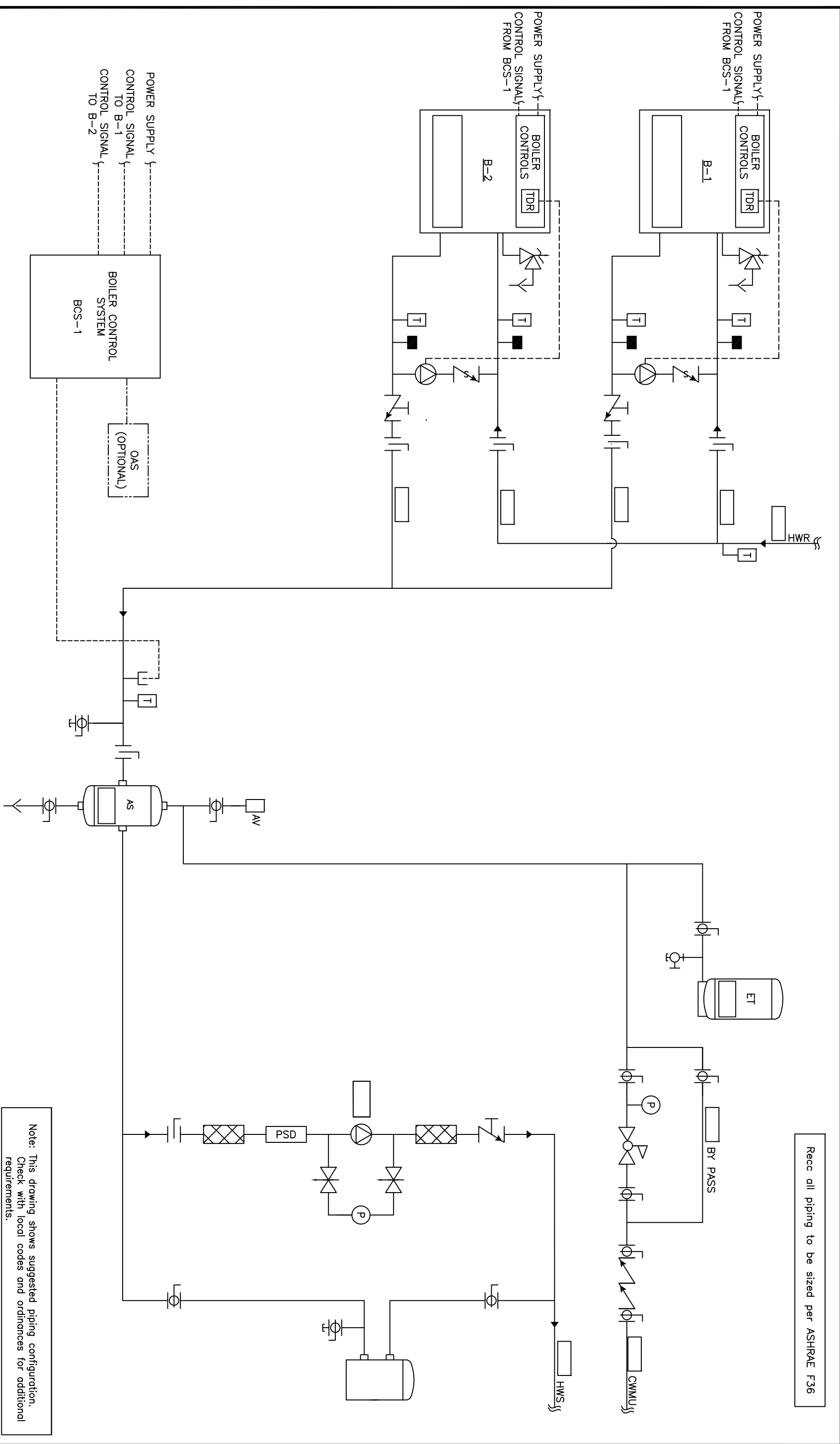


Recall all piping to be sized per ASHRAE F36



Note: This drawing shows suggested piping configuration. Check with local codes and ordinances for additional requirements.

REV		DESCRIPTION		BY		DATE		THIS DRAWING AND THE INFORMATION DERIVED THEREIN IS THE PROPERTY OF CHC. CALIFORNIA HYDRONICS CORP. COPIES ARE ISSUED IN STRICT CONFIDENCE AND SHALL NOT BE REPRODUCED OR COPIED, OR USED AS INSTALLATION OR SALE OF PRODUCT WITHOUT PRIOR WRITTEN PERMISSION OF CHC.		PROJECT NAME:		DRAWING TITLE:		DRAWING No.:		SCALE:	
A		RELEASED		D.K		5/23/08		PROJECT LOCATION:		HYDRONIC CONSTANT VOLUME - 2 ATMOSPHERIC BOILERS, BLEND PUMP WITH SYSTEM PUMP		H-CV-100-2BP-1		REV		A	
								ENGINEER:		CHECKED		APPROVED		DATE		5/23/08	
								CUSTOMER:		DRAWN		DATE		D.K		05/23/08	

