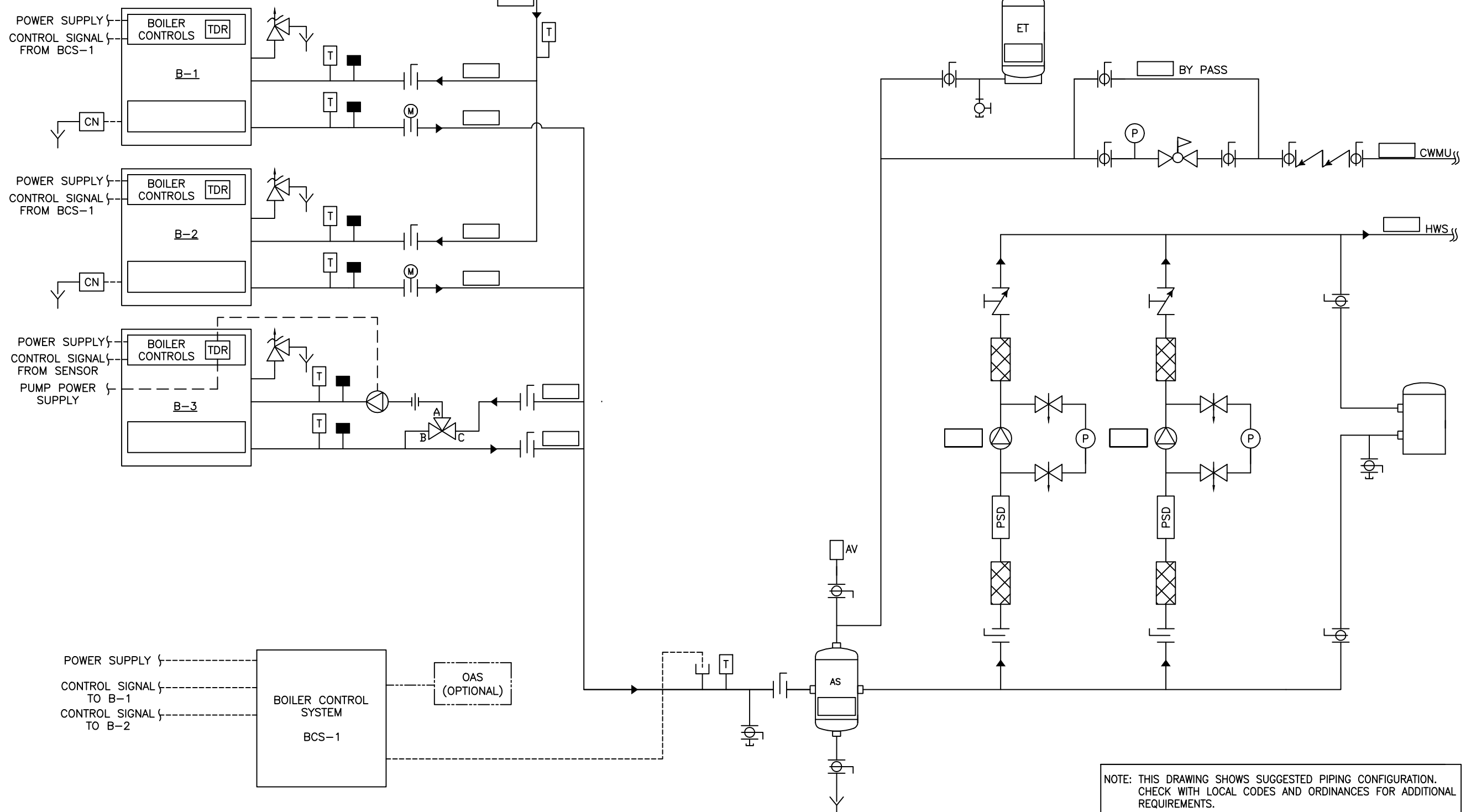


RECC ALL PIPING TO BE SIZED PER ASHARE F36



NOTE: THIS DRAWING SHOWS SUGGESTED PIPING CONFIGURATION. CHECK WITH LOCAL CODES AND ORDINANCES FOR ADDITIONAL REQUIREMENTS.

		THIS DRAWING AND THE INFORMATION DEPICTED THEREIN IS THE PROPERTY OF CHC, CALIFORNIA HYDRONICS CORP. COPIES ARE ISSUED IN STRICT CONFIDENCE AND SHALL NOT BE REPRODUCED OR COPIED, OR USED AS THE BASIS FOR THE MANUFACTURING, INSTALLATION OR SALE OF PRODUCT WITHOUT PRIOR WRITTEN PERMISSION OF CHC.		PROJECT NAME:		DRAWING TITLE:	
				PROJECT LOCATION:		HYBRID VARIABLE VOLUME SYSTEM- 2 CONDENSING , 1 NON CONDENSING WITH PUMP AND 2 SYSTEM PUMPS.	
				ENGINEER:		DRAWING No. H-VP-501-B3-2	
				CUSTOMER:		REV A	
A	RELEASED	D.K	8/24/10	TOLERANCES UNLESS OTHERWISE SPECIFIED			
REV	DESCRIPTION	BY	DATE	DRAWN BY/DATE	CHECKED/DATE	APPROVED/DATE	SCALE
				D.K/08/24/10			NTS

