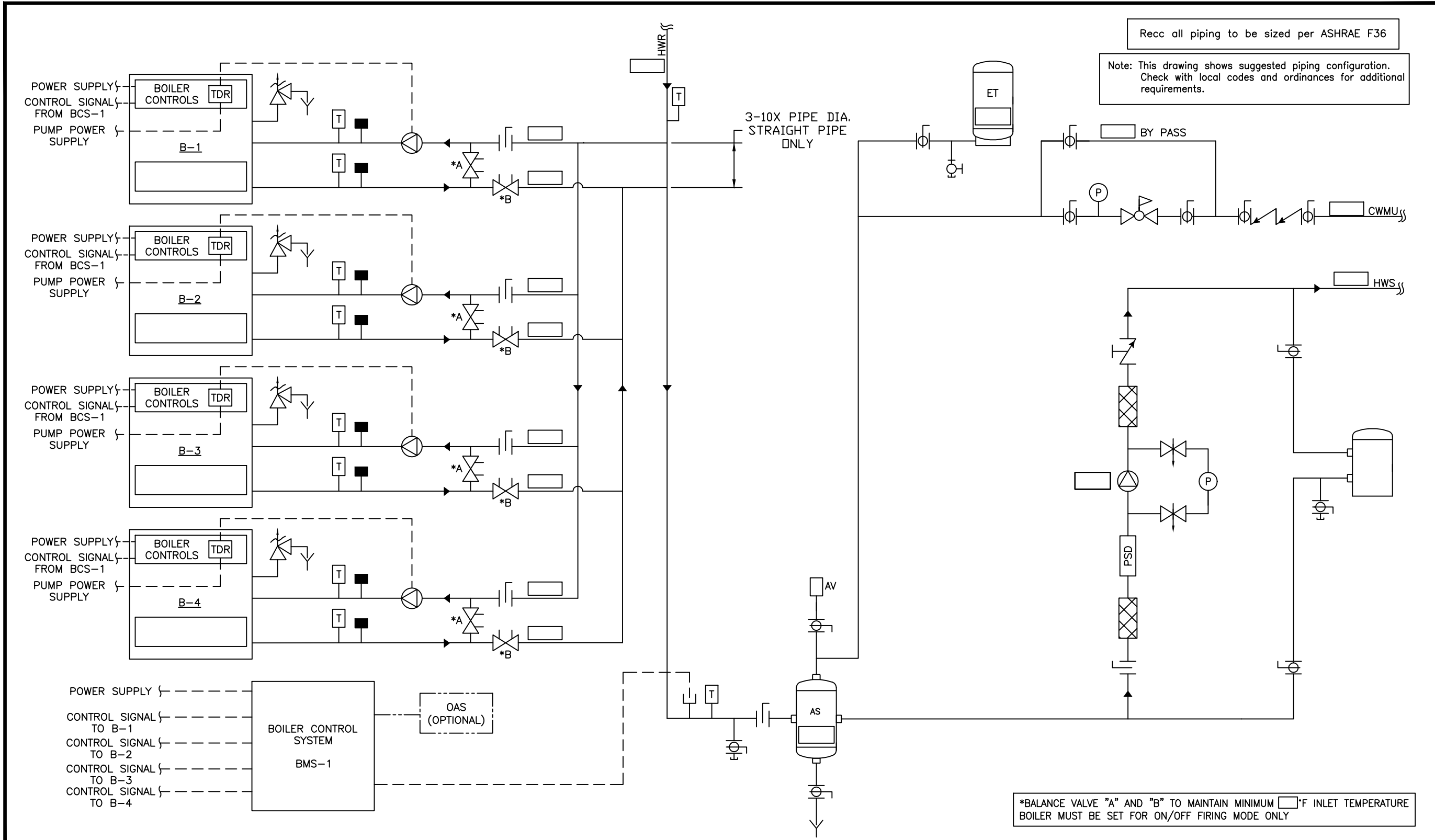


Recc all piping to be sized per ASHRAE F36

Note: This drawing shows suggested piping configuration. Check with local codes and ordinances for additional requirements.



*BALANCE VALVE "A" AND "B" TO MAINTAIN MINIMUM °F INLET TEMPERATURE BOILER MUST BE SET FOR ON/OFF FIRING MODE ONLY

REV	DESCRIPTION	BY	DATE
A	RELEASED	RSG	05/28/08

THIS DRAWING AND THE INFORMATION DEPICTED THEREIN IS THE PROPERTY OF CHC, CALIFORNIA HYDRONICS CORP. COPIES ARE ISSUED IN STRICT CONFIDENCE AND SHALL NOT BE REPRODUCED OR COPIED, OR USED AS THE BASIS FOR THE MANUFACTURING, INSTALLATION OR SALE OF PRODUCT WITHOUT PRIOR WRITTEN PERMISSION OF CHC.

PROJECT NAME:
PROJECT LOCATION:
ENGINEER:
CUSTOMER:

DRAWING TITLE:
HYDRONIC PRIMARY/SECONDARY - 4 ATMOSPHERIC BOILERS WITH SEPARATE PRIMARY PUMP POWER, CIRCUIT SETTER PROTECTION, WITH SYSTEM PUMP

DRAWING No. H-PS-101-4CS-1

TOLERANCES UNLESS OTHERWISE SPECIFIED

CHECKED	APPROVED	DEC.	ANGLE	SIZE	SCALE
D.K.			.500"	5"	D NTS

