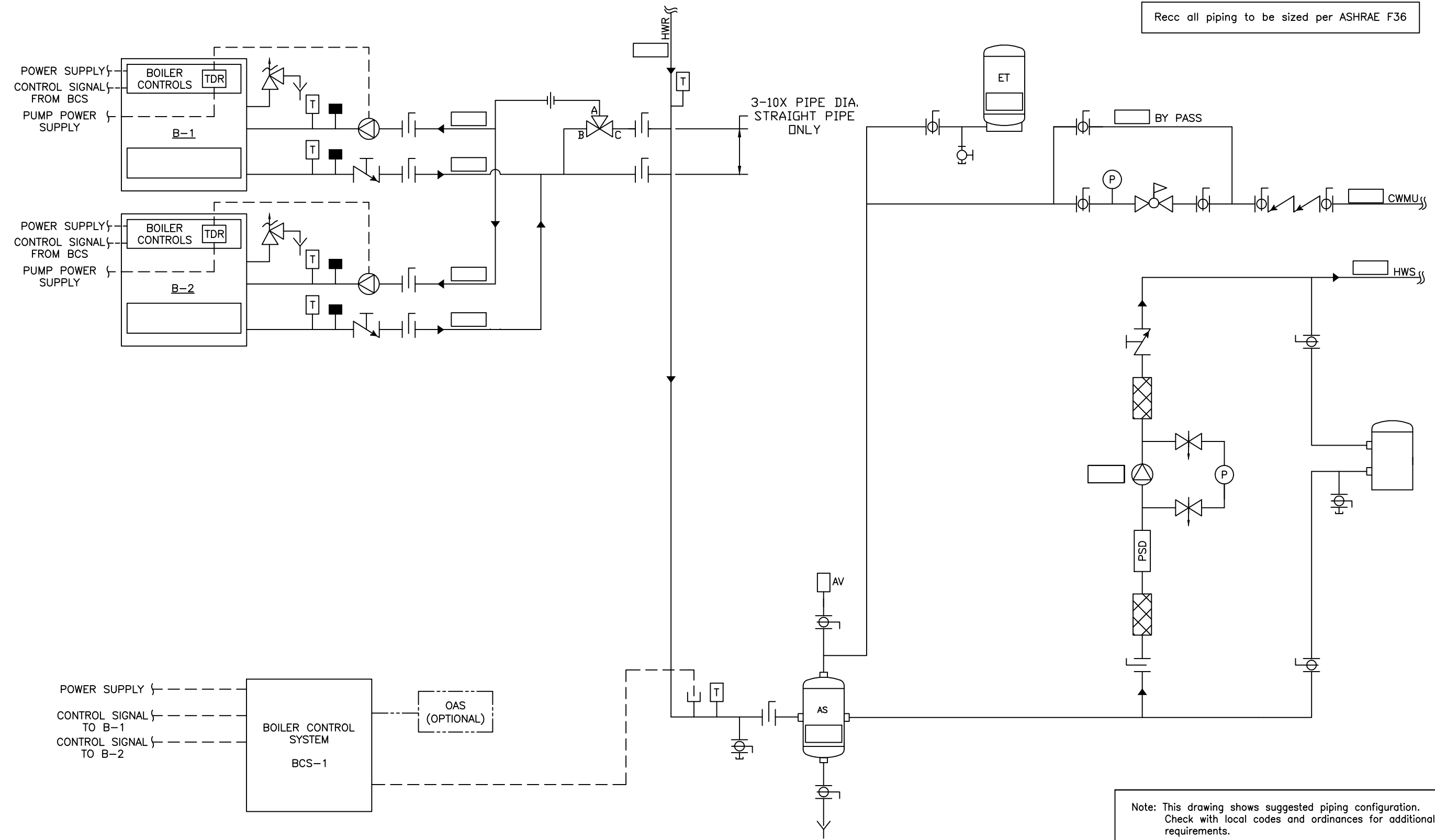


Recc all piping to be sized per ASHRAE F36



Note: This drawing shows suggested piping configuration. Check with local codes and ordinances for additional requirements.

<p>THIS DRAWING AND THE INFORMATION DEPICTED THEREIN IS THE PROPERTY OF FLOWTHERM SYSTEMS, A DIVISION OF CHC, CALIFORNIA HYDRONICS CORP. COPIES ARE ISSUED IN STRICT CONFIDENCE AND SHALL NOT BE REPRODUCED OR COPIED, OR USED AS THE BASIS FOR THE MANUFACTURING, INSTALLATION OR SALE OF PRODUCT WITHOUT PRIOR WRITTEN PERMISSION OF CHC.</p>		<p>PROJECT NAME: PROJECT LOCATION: ENGINEER: CUSTOMER:</p>		<p>DRAWING TITLE: HYDRONIC PRIMARY/SECONDARY - 2 ATMOSPHERIC BOILERS WITH SEPARATE PRIMARY PUMP POWER, COMMON FPE VALVE, WITH SYSTEM PUMP</p>	
<p>POWER SUPPLY (---) CONTROL SIGNAL TO B-1 (---) CONTROL SIGNAL TO B-2 (---)</p>		<p>OAS (OPTIONAL)</p>		<p>DRAWING No. H-PS-101-2CF-1 REV A</p>	
<p>REV</p>	<p>DESCRIPTION</p>	<p>BY</p>	<p>DATE</p>	<p>DRAWN BY DATE D.K. 05/23/08</p>	<p>CHECKED APPROVED DEC. ANGLE SIZE SCALE .500" 5" D NTS</p>

